

**48" Hustler Super S Parts Manual
- 938811CE -
HTSUPR048KAWFX691VC**

General Information	1
Frame & Foot Platform	
Frame	3-1
Foot Platform & Tower Pad - S/N 18067885 & Higher	3-2
Foot Platform & Tower Pad - Prior to S/N 18067885	3-3
Hydraulic & Steering	
Hydraulic System	4-1
Reservoir Assembly Breakdown	4-2
Left Pump Assembly Breakdown	4-3
Right Pump Assembly Breakdown	4-4
Hydraulic Pump Service Parts	4-5
Wheel Motor Breakdown	4-6
Pump Drive	4-7
Steering (Multi-Page)	4-8
Brake	4-9
Wheels & Tires	
Wheels, Tires & Fenders	5-1
Front Wheel Assembly Breakdown	5-2
Drive Wheel Breakdown	5-3
Engine & Fuel System	
Engine	6-1
Engine Service Parts	6-2
Fuel System	6-3
Electrical	
Battery	7-1
Instrument Panel & Wire Harness	7-2
Deck	
Service Deck	8-1
Deck Pulleys & Spindles	8-2
Deck (Multi-Page)	8-3
Dust Shield	8-4
Deck Lift & Mounting Hardware (Multi-Page)	8-5
Appendix A:Pages Index	A
Appendix B:Parts Index	B

General Information

Note: When ordering parts, you must use the part number as shown for each part, not the index number. Always give the model and serial number to your parts and service representative.

Note: Items sold in bulk such as seals and hoses are sold by the foot.

Using This Manual

This manual is part of a service package for the Hustler® mowers. Use of this manual in conjunction with other Hustler® mower and component manuals will provide the information necessary to service and maintain Hustler® mowers.

This Parts Manual provides a complete parts listing for the unit. Use this manual when ordering parts. Illustrations used were current at the time of printing, but subsequent production changes may cause your machine to vary slightly in detail. Excel Industries, Inc. reserves the right to redesign and change the machine as deemed necessary, without notification. If a change has been made to your machine which is not reflected in this parts manual, see your authorized dealer for current information and parts.

The Service Manual is a service guide for use by Service Technicians. It provides the necessary information needed to perform normal maintenance requirements on these units.

The Operator's Manual provides fundamental operational information and operational safety that is needed when operating the mower.

The component manuals are furnished by the various manufacturers to be used for the troubleshooting and servicing of their products.

Hardware Description Codes & Abbreviations

The following codes are used throughout this parts manual. Refer to this list when ordering parts.

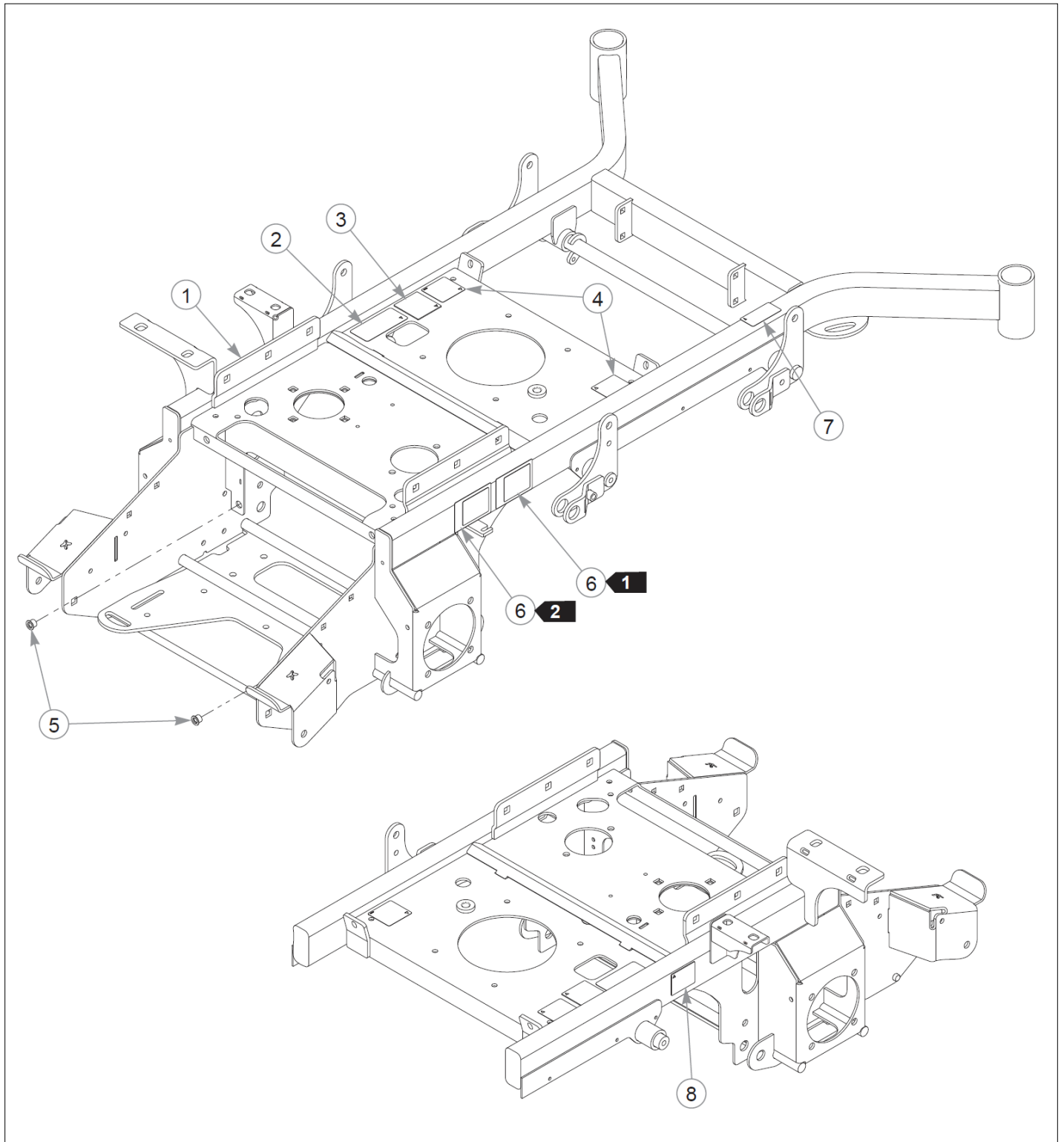
ABBREVIATION	DESCRIPTION	ABBREVIATION	DESCRIPTION
CB	CARRIAGE BOLT	MB	MACHINE BUSHING
CE	CLEVIS PIN	MS	MACHINE SCREW
CN	CLIP NUT	NT	NUT
CP	COTTER PIN	SC	SELF TAPPING CAP SCREW
CS	CAP SCREW	SH	SOCKET HEAD
CW	CUP WASHER	SB	SHOULDER BOLT
FDRW	FENDER WASHER	SS	SET SCREW
FW	FLAT WASHER	OD	OUTSIDE DIAMETER
HX	HEX HEAD	ID	INSIDE DIAMETER
LW	LOCK WASHER	WN	WELD NUT

Standard Torques

The following chart lists the standard torque values for the threaded fasteners found in this manual. Torque all cap screws, nuts and set screws to these values unless a different torque is shown in the Notes section next to the fastener.

SIZE	FT-LBS	N•M	SIZE	FT-LBS	N•M
.250	8.2	11.1	M3	1	1.3
.312	17	23	M4	2.2	3
.375	30	40	M5	4.5	6.1
.438	48	65	M6	7.7	10.4
.500	73	99	M8	18.5	25
.562	105	143	M10	37	50
.625	145	200	M12	64	87
.750	260	350	M14	80	108.5
.875	420	565	M16	160	215
1.00	625	850	M20	320	435
			M24	555	750

Frame & Foot Platform



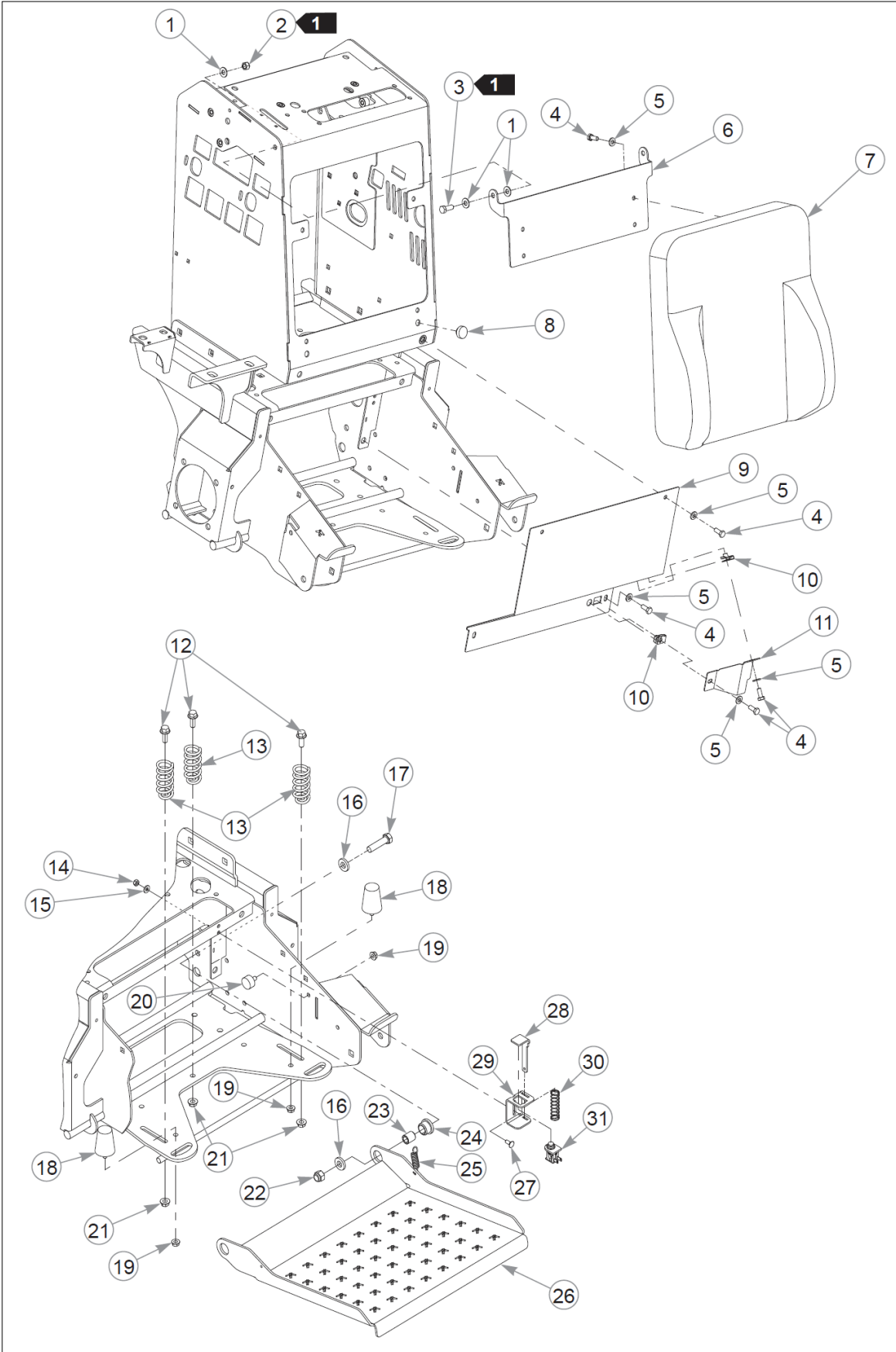
Item	Part No.	Name	Qty	Uom
1	554727	SVC FRAME	1	EA
2	606323	DECAL, ENGINE PLATE	1	EA
3	789776CE	DBA LIMIT DECAL	1	EA
4	602562	DECAL, NO SERVICE	2	EA
5	808485	RIVET NUT, 5/16-18 THRE	2	EA
6	N/A	SERIAL NUMBER / SPEC DECAL	2	EA
7	602041	DECAL, HOT	1	EA
8	776310	DECAL, CE MARK	1	EA

Comments for Page: Frame

jmumford@excelii.com on Apr 20, 2018

1. Serial number decal. In the event the serial number decal becomes damaged or illegible, please contact your dealer to order a replacement.2. EPA compliance decal.3. The frame includes the decals.

Frame & Foot Platform



Item	Part No.	Name	Qty	Uom
1	767954	FW 0.379X.82X.06 HD ZY	6	EA
2	086660	NT .375-16NLG8	2	EA
3	036244	CS .375-16X1.00 HX G5 ZY	2	EA
4	034280	CS .312-18X0.750HXG5	10	EA
5	768523	FW 0.343SAE	10	EA
6	122580	PAD MOUNT	1	EA
7	607168	OPERATOR PAD, W/BOLSTERS	1	EA
8	781880	BUMPER, .500x 1.00x .31	2	EA
9	122624	DIVERTER SHIELD	1	EA
10	601069	CN .312-18x.200 MAX THK	2	EA
11	122782	SWITCH GUARD	1	EA
12	029751	CS .375-16X1.00 HXF G5ZY	3	EA
13	606286	SPRING	3	EA
14	068551	NT .250-20 HXZY NL	2	EA
15	768515	FW 0.281SAE	2	EA
16	767962	FW .531 x 1.063 x .175	4	EA
17	078949	CS .500-13X2.000 FUL HX	2	EA
18	606845	BUMPER, CONICAL 2.00	2	EA
19	016832	NT .312-18FLKG5	4	EA
20	605960	ISOLATOR, 1.00" DIA	2	EA
21	016899	NT .375-16 FLKG5	3	EA
22	781567	NT .500-13NLG5	2	EA
23	122241	FLOOR PAN PIVOT	2	EA
24	781153	BUSHING, UHMW	2	EA
25	034652	SPRING 2.5	1	EA
26	121903	W/A, FLOOR PAN	1	EA
27	601503	CS .250-20X0.75 HX G5 ZY	2	EA
28	122625	OPC PLUNGER BRKT	1	EA
29	122626	OPC SWITCH MOUNT	1	EA

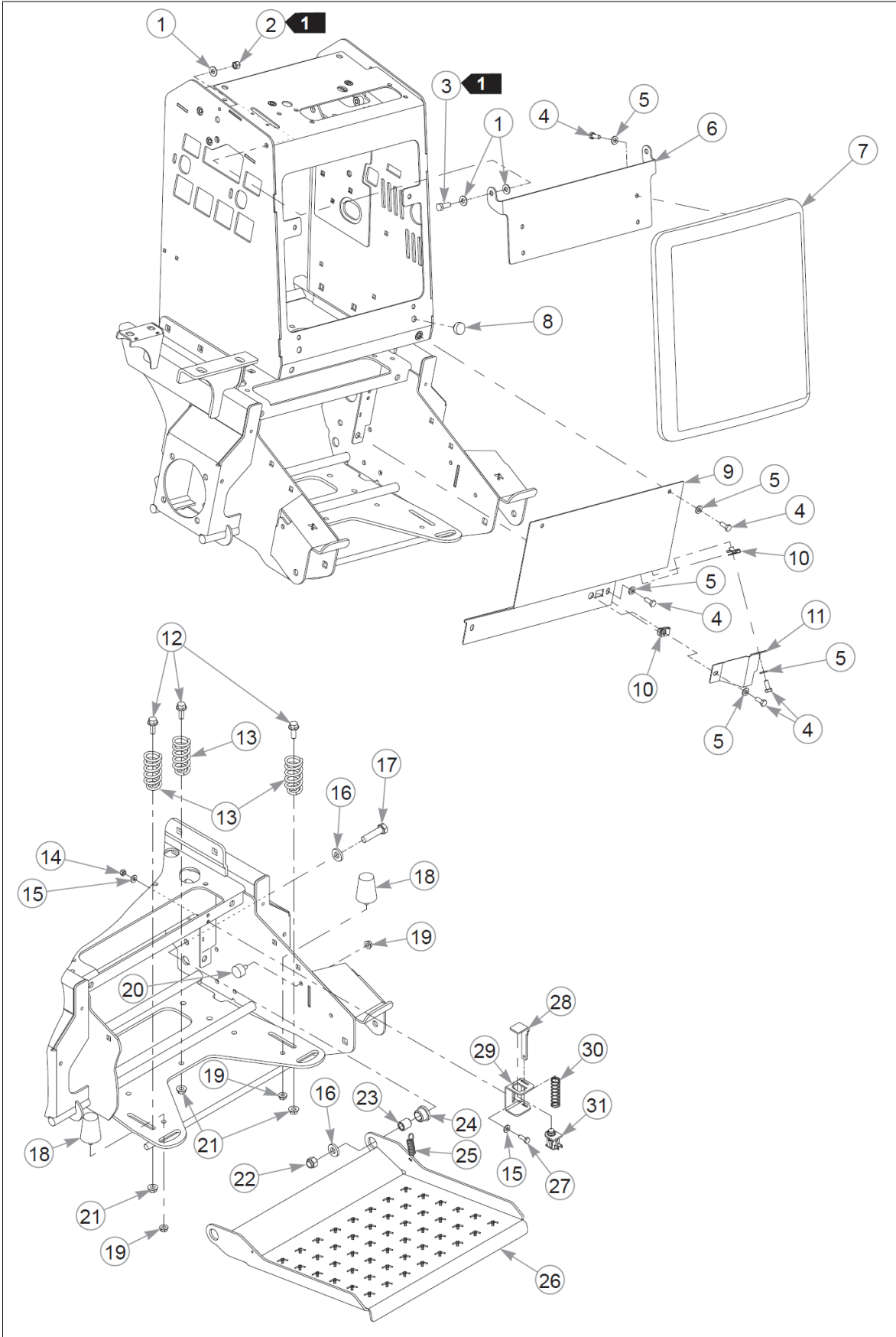
Item	Part No.	Name	Qty	Uom
30	601580	COMPRESSION SPRING	1	EA
31	606262	SWITCH, N.O. PLUNGER	1	EA

Comments for Page: Foot Platform & Tower Pad - S/N 18067885 & Higher

jmumford@excelii.com on Aug 16, 2017

1. Tighten the hardware so that the operator pad will pivot, but hold its position when lifted.

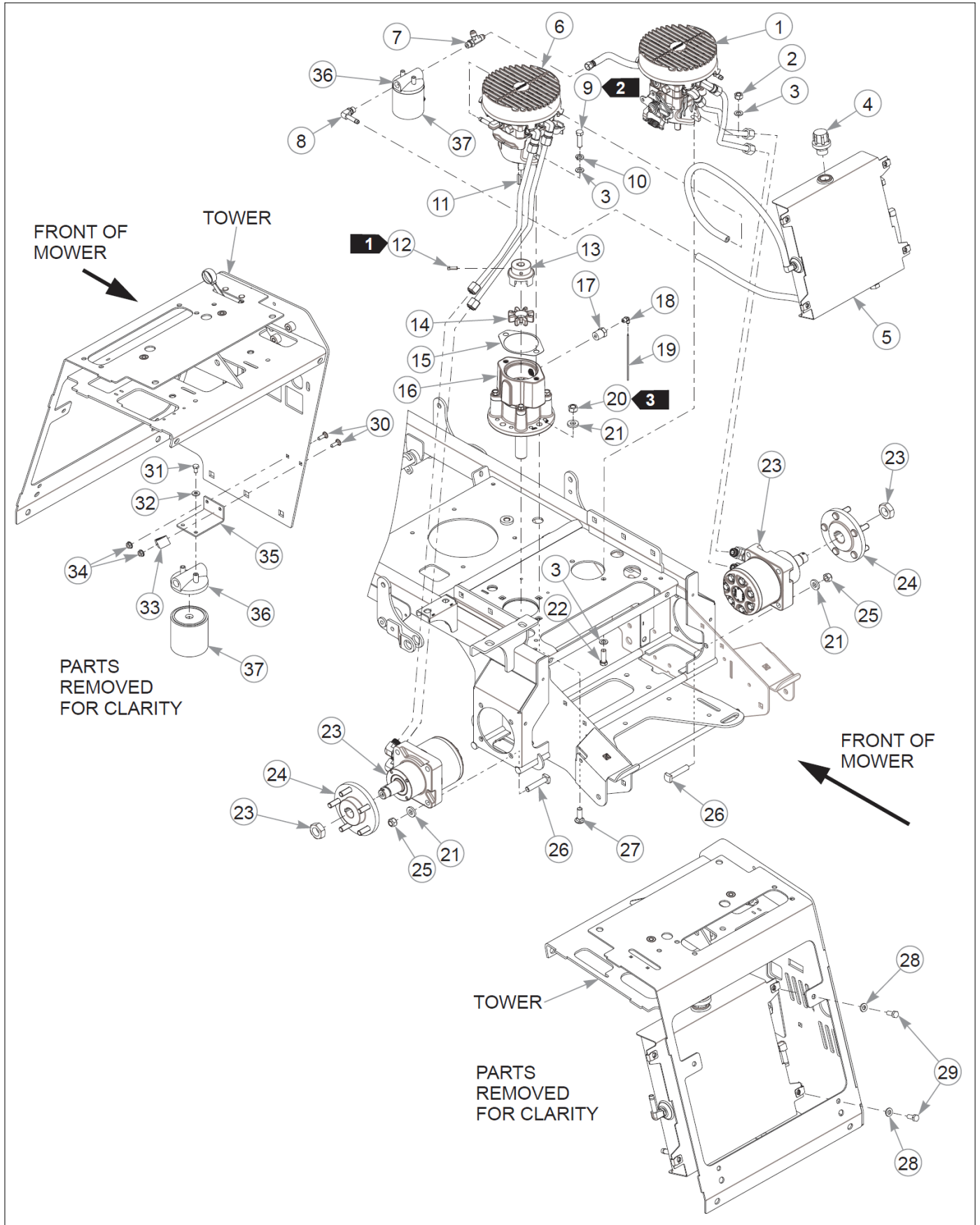
Frame & Foot Platform



Item	Part No.	Name	Qty	Uom
1	767954	FW 0.379X.82X.06 HD ZY	6	EA
2	086660	NT .375-16NLG8	2	EA
3	036244	CS .375-16X1.00 HX G5 ZY	2	EA
4	034280	CS .312-18X0.750HXG5	10	EA
5	768523	FW 0.343SAE	10	EA
6	122580	PAD MOUNT	1	EA
7	605282	PAD, TOWER	1	EA
8	781880	BUMPER, .500x 1.00x .31	2	EA
9	122624	DIVERTER SHIELD	1	EA
10	601069	CN .312-18x.200 MAX THK	2	EA
11	122782	SWITCH GUARD	1	EA
12	029751	CS .375-16X1.00 HXF G5ZY	3	EA
13	606286	SPRING	3	EA
14	068551	NT .250-20 HXZY NL	2	EA
15	768515	FW 0.281SAE	4	EA
16	767962	FW .531 x 1.063 x .175	4	EA
17	078949	CS .500-13X2.000 FUL HX	2	EA
18	606845	BUMPER, CONICAL 2.00	2	EA
19	016832	NT .312-18FLKG5	4	EA
20	605960	ISOLATOR, 1.00" DIA	2	EA
21	016899	NT .375-16 FLKG5	3	EA
22	781567	NT .500-13NLG5	2	EA
23	122241	FLOOR PAN PIVOT	2	EA
24	781153	BUSHING, UHMW	2	EA
25	034652	SPRING 2.5	1	EA
26	121903	W/A, FLOOR PAN	1	EA
27	055939	CS .250-20X0.75 HX G5 ZY	2	EA
28	122625	OPC PLUNGER BRKT	1	EA
29	122626	OPC SWITCH MOUNT	1	EA

Item	Part No.	Name	Qty	Uom
30	601580	COMPRESSION SPRING	1	EA
31	606262	SWITCH, N.O. PLUNGER	1	EA

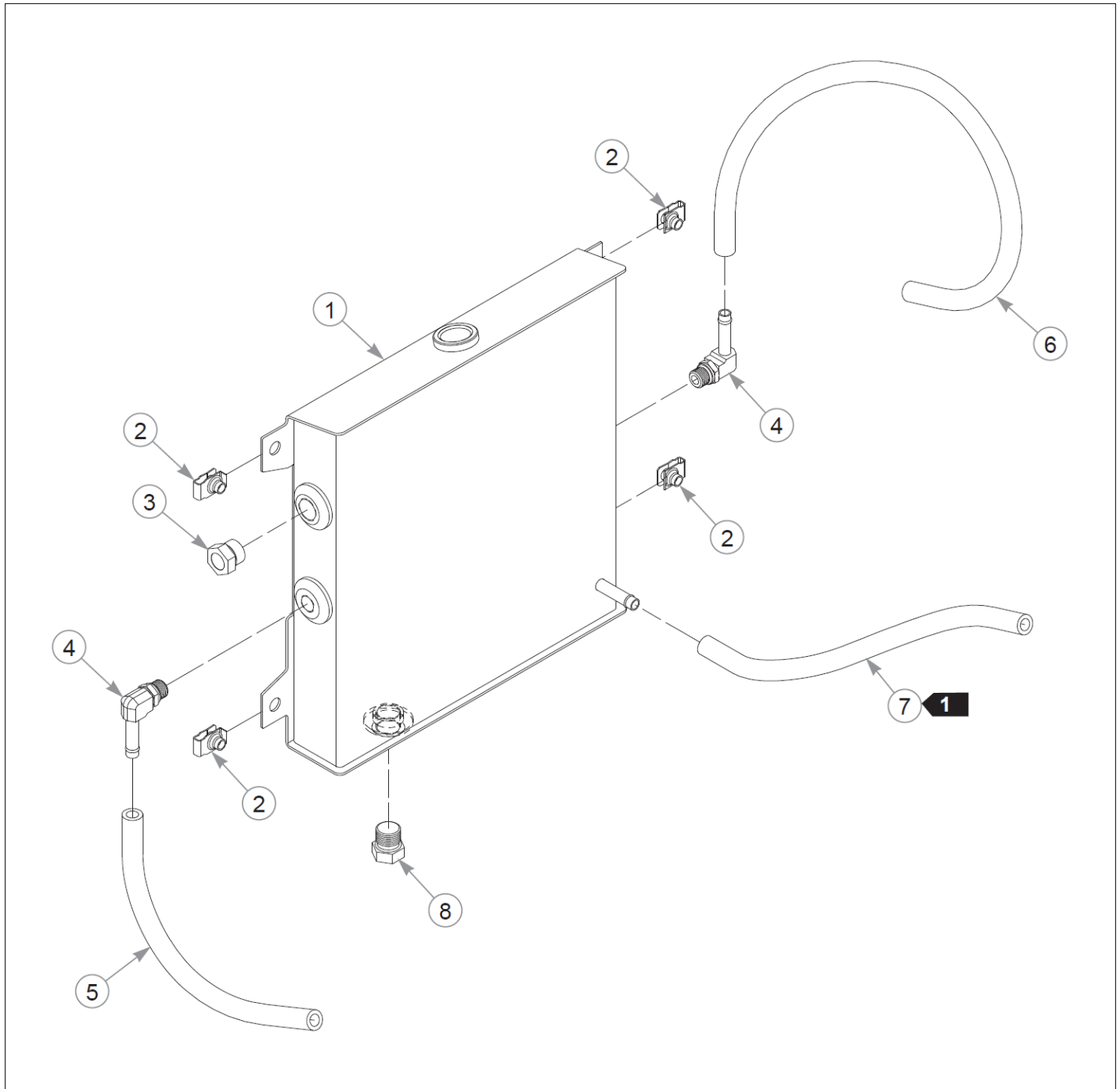
Hydraulic & Steering



Item	Part No.	Name	Qty	Uom
1		REFER TO "RIGHT PUMP ASSEMBLY BREAKDOWN"	1	EA
2	041707	NT .437-14HXG5	2	EA
3	704742	FW 0.453X0.812X0.060	6	EA
4	606198	OIL RES BREATHER	1	EA
5		REFER TO "RESERVOIR ASSEMBLY BREAKDOWN"	1	EA
6		REFER TO "LEFT PUMP ASSEMBLY BREAKDOWN"	1	EA
7	763953	FTG T,-6 O-RING/-6J	1	EA
8	787465	FTG, 90°-6MORB/-6BT	1	EA
9	606200	CS .437-20X1.50 HXG5	2	EA
10	606176	LW .437 MED ZC	2	EA
11	768127	KEY 5mm x30mm RADIUS EN	1	EA
12	606263	SS .250-20 X .750 SQ	2	EA
13	606184	PUMPSIDE COUPLING	1	EA
14	605980	LH100 SPIDER 92A YELLOW	1	EA
15	606266	JACKSHAFT GASKET	1	EA
16	606183	JACKSHAFT ASSEMBLY	1	EA
17	606327	FTG, 1/2X1/8 PTR-S VIBRA	1	EA
18	606267	FTG, W369PLP-2-2 NPT	1	EA
19	606353	NYLON TUBE, 1/8"	1	EA
20	008193	NT .500-13HXG5	4	EA
21	767962	FW .531 x 1.063 x .175	12	EA
22	705186	CS .437-14X1.375HXG5	2	EA
23		REFER TO "MOTOR ASSEMBLY BREAKDOWN"	2	EA
24	773002	HUB, 5-BOLT REAR 4WD	2	EA
25	023317	NT .500-13UNTG8	8	EA
26	602256	CS .500-13X2.500 SQ G5	8	EA
27	028274	CB .500-13X 1.500 FULL	4	EA

Item	Part No.	Name	Qty	Uom
28	768523	FW 0.343SAE	4	EA
29	034280	CS .312-18X0.750HXG5	4	EA
30	794784	CB .250-20 X .75 FUL ZN	2	EA
31	055947	CS .250-20X0.50 HX G5 ZY	2	EA
32	768515	FW 0.281SAE	2	EA
33	043570	CLIP - HOSE - SINGLE(FS)	1	EA
34	016816	NT .250-20FLKG5	2	EA
35	122481	BRACKET, OIL FILTER	1	EA
36	768333	FILTER HEAD ZINGA BF SE	1	EA
37	768341	FILTER ELEMENT	1	EA

Hydraulic & Steering



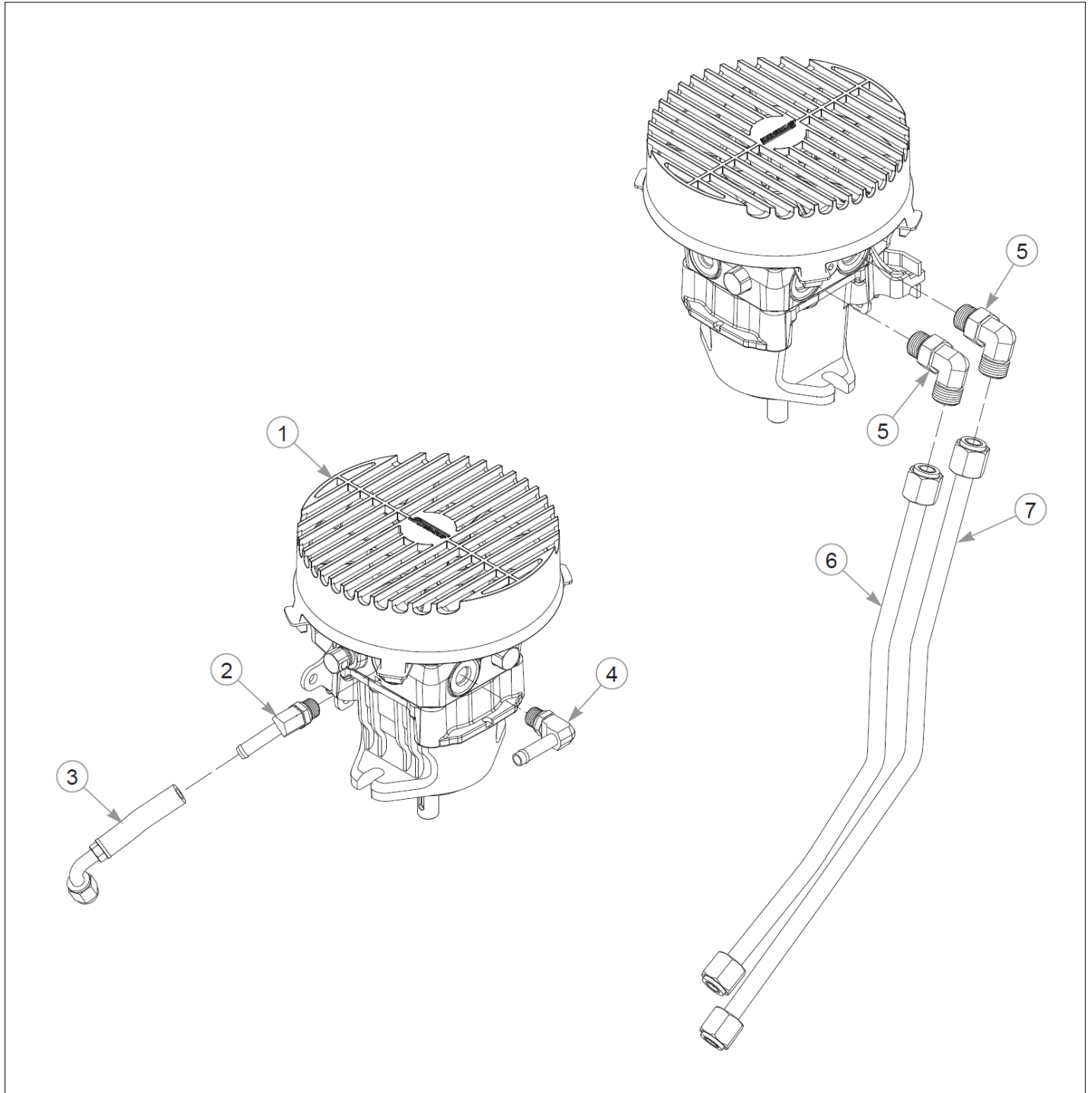
Item	Part No.	Name	Qty	Uom
1	606238	RESERVOIR W/A	1	EA
2	601069	CN .312-18x.200 MAX THK	4	EA
3	606249	FTG, SIGHT GLASS	1	EA
4	787465	FTG, 90°-6MORB/-6BT	2	EA
5	606109	RH PUMP RETURN HOSE	1	EA
6	606108	LH PUMP RETURN HOSE	1	EA
7	606110	MAIN SUCTION HOSE	1	EA
8	781658	FTG, -8MORB/HEX PLUG	1	EA

Comments for Page: Reservoir Assembly Breakdown

jmumford@excelii.com on Mar 2, 2016

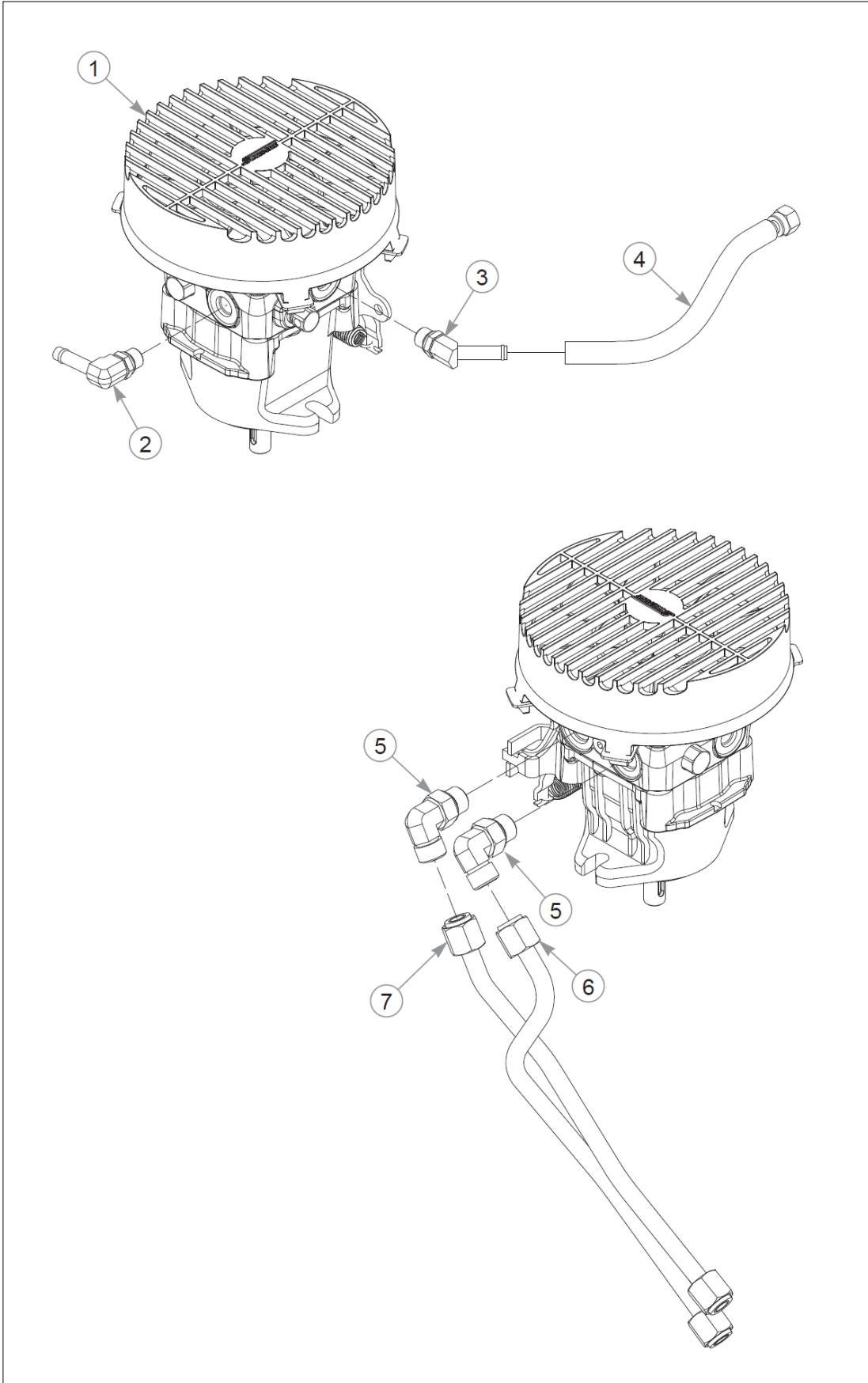
1. The hose (606110) comes with an AS-B protective sleeve.

Hydraulic & Steering



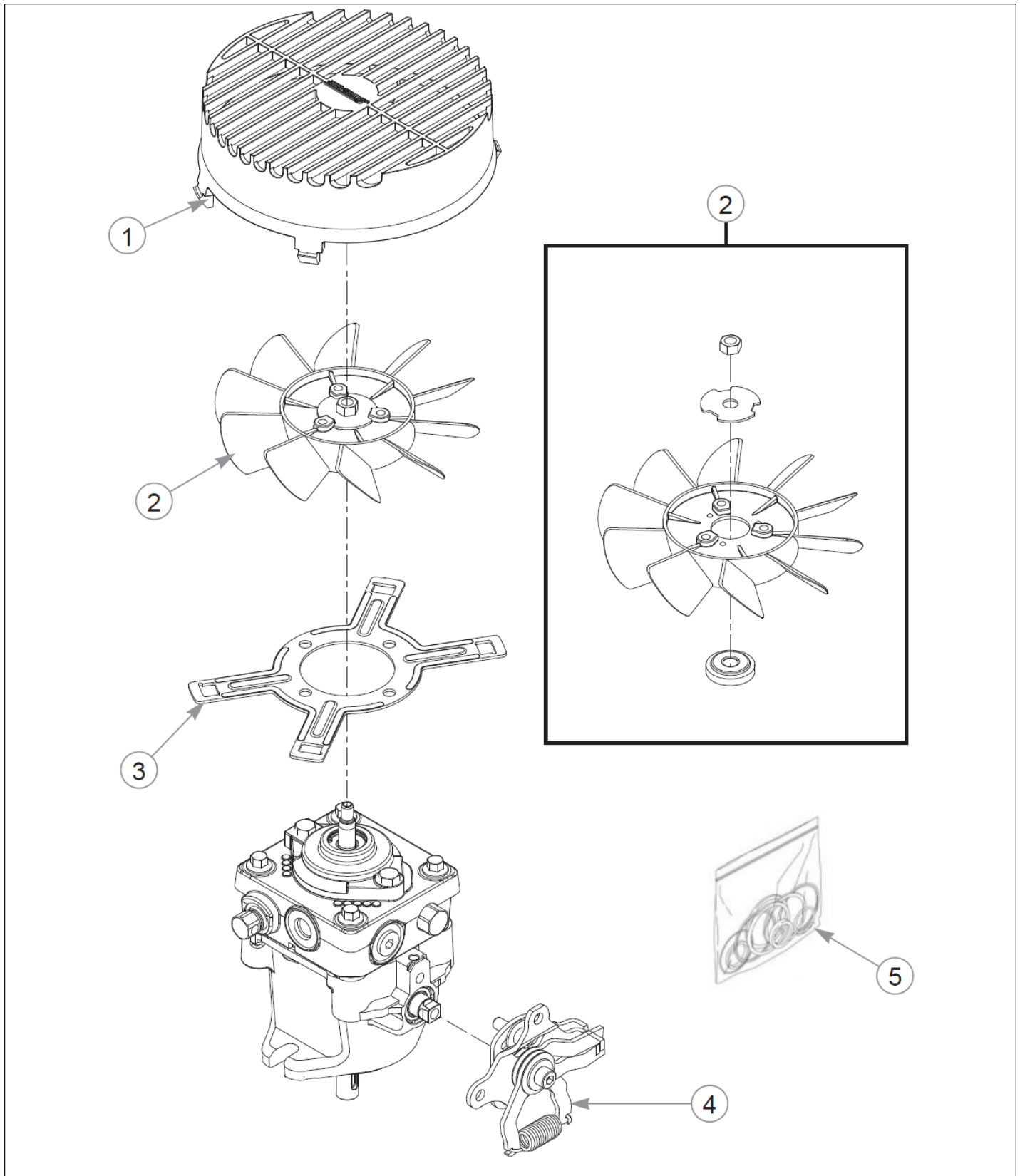
Item	Part No.	Name	Qty	Uom
1	606057	PUMP, H-G 12CC W/FAN	1	EA
2	784108	FTG, 45°-6MORB/-6BT	1	EA
3	606111	LH PUMP SUCTION HOSE	1	EA
4	787465	FTG, 90°-6MORB/-6BT	1	EA
5	781542	FTG, 90°-8MORB/-8MORFS	2	EA
6	606062	TUBE, LP-TM LH LOOP	1	EA
7	606063	TUBE, RP-BM LH LOOP	1	EA

Hydraulic & Steering



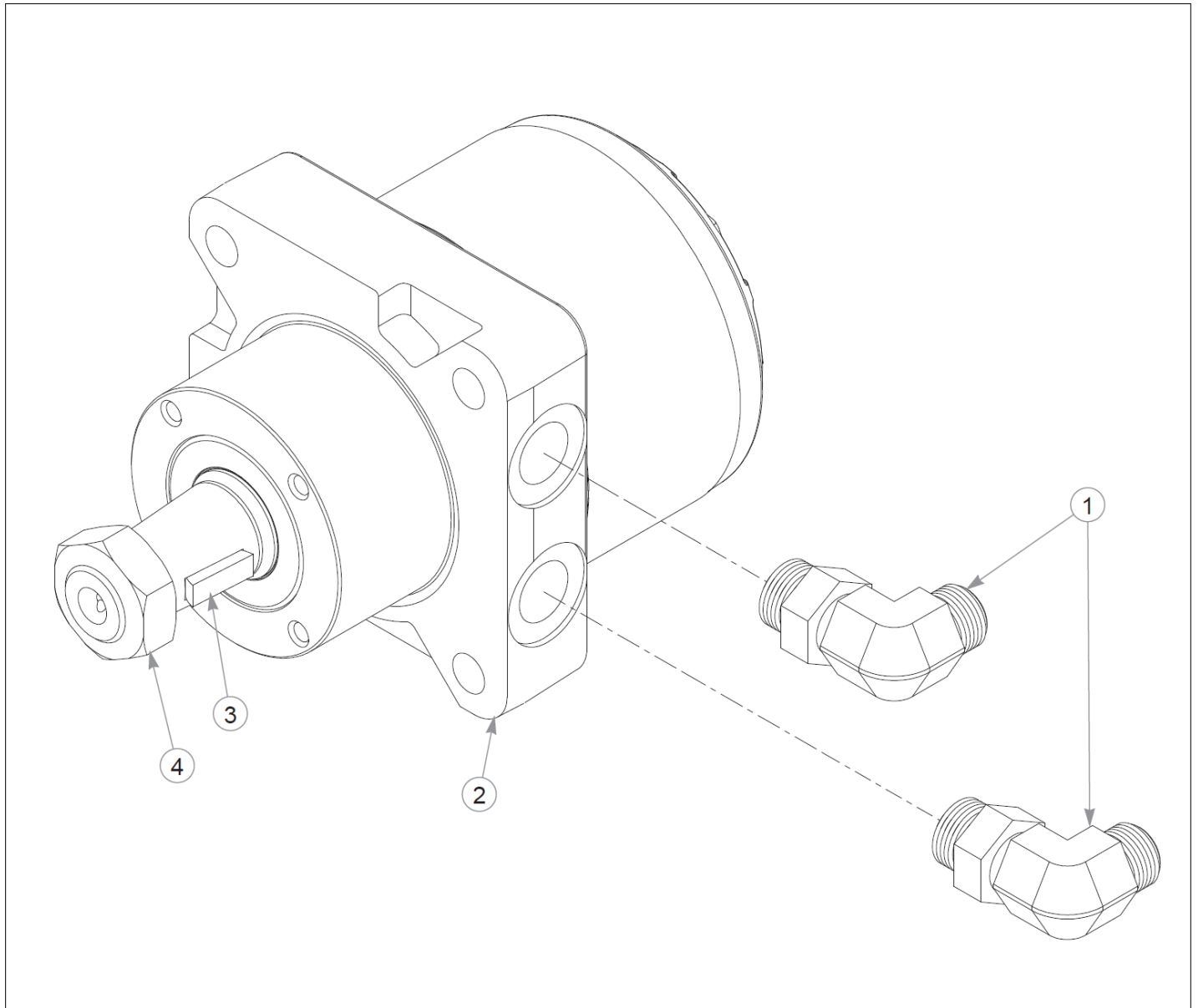
Item	Part No.	Name	Qty	Uom
1	606058	PUMP, H-G 12CC W/FAN	1	EA
2	787465	FTG, 90°-6MORB/-6BT	1	EA
3	784108	FTG, 45°-6MORB/-6BT	1	EA
4	606112	RH PUMP SUCTION HOSE	1	EA
5	781542	FTG, 90°-8MORB/-8MORFS	2	EA
6	606060	TUBE, RP-BM RH LOOP	1	EA
7	606061	TUBE, LP-TM RH LOOP	1	EA

Hydraulic & Steering



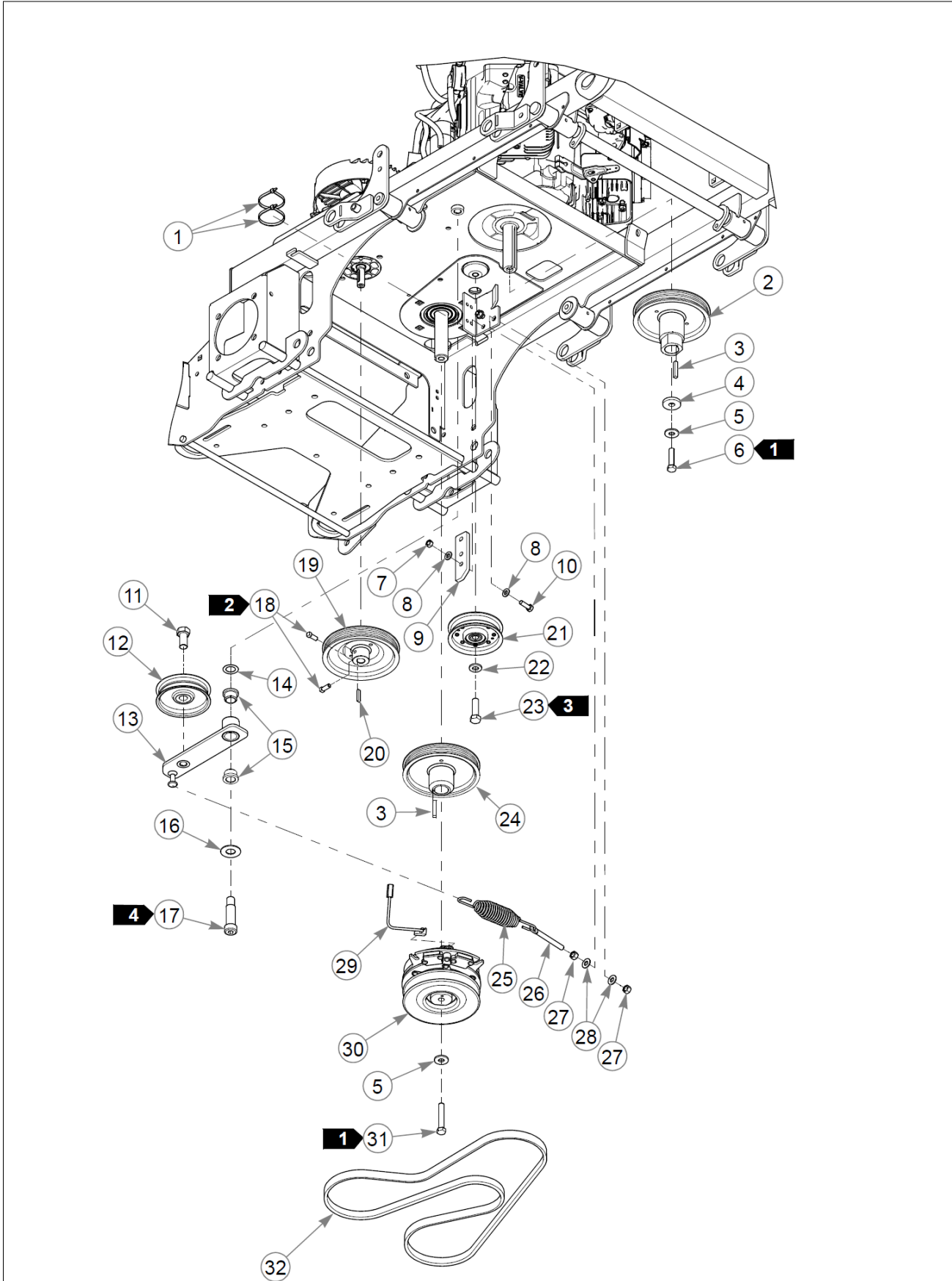
Item	Part No.	Name	Qty	Uom
1	606348	FAN SHROUD, 7"	1	EA
2	606347	FAN KIT, 7"	1	EA
3	606349	FAN MOUNT	1	EA
4	606350	KIT, RTN, STD SCISSOR	1	EA
5	780718	SEAL KIT, PG/PJ PUMPS	1	EA

Hydraulic & Steering



Item	Part No.	Name	Qty	Uom
1	781526	FTG, 90°-10MORB/-8MORFS	2	EA
2	606201	MOTOR, TL0195	1	EA
Not Shown	605266	MOTOR, PARKER TL0240	1	EA
3	064337	ROSS WOODRUFF KEY	1	EA
4	065516	ROSS CASTLE NUT	1	EA

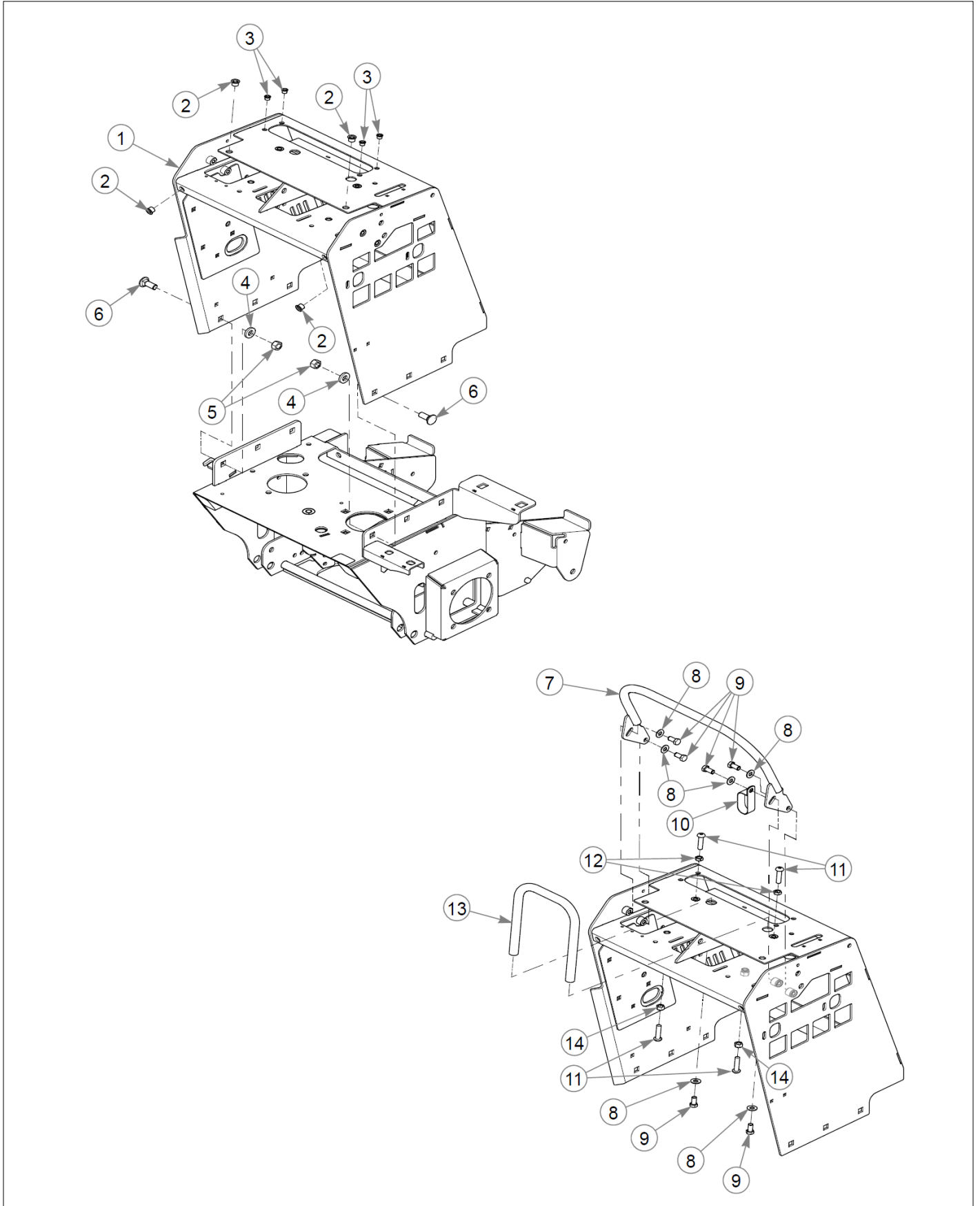
Hydraulic & Steering



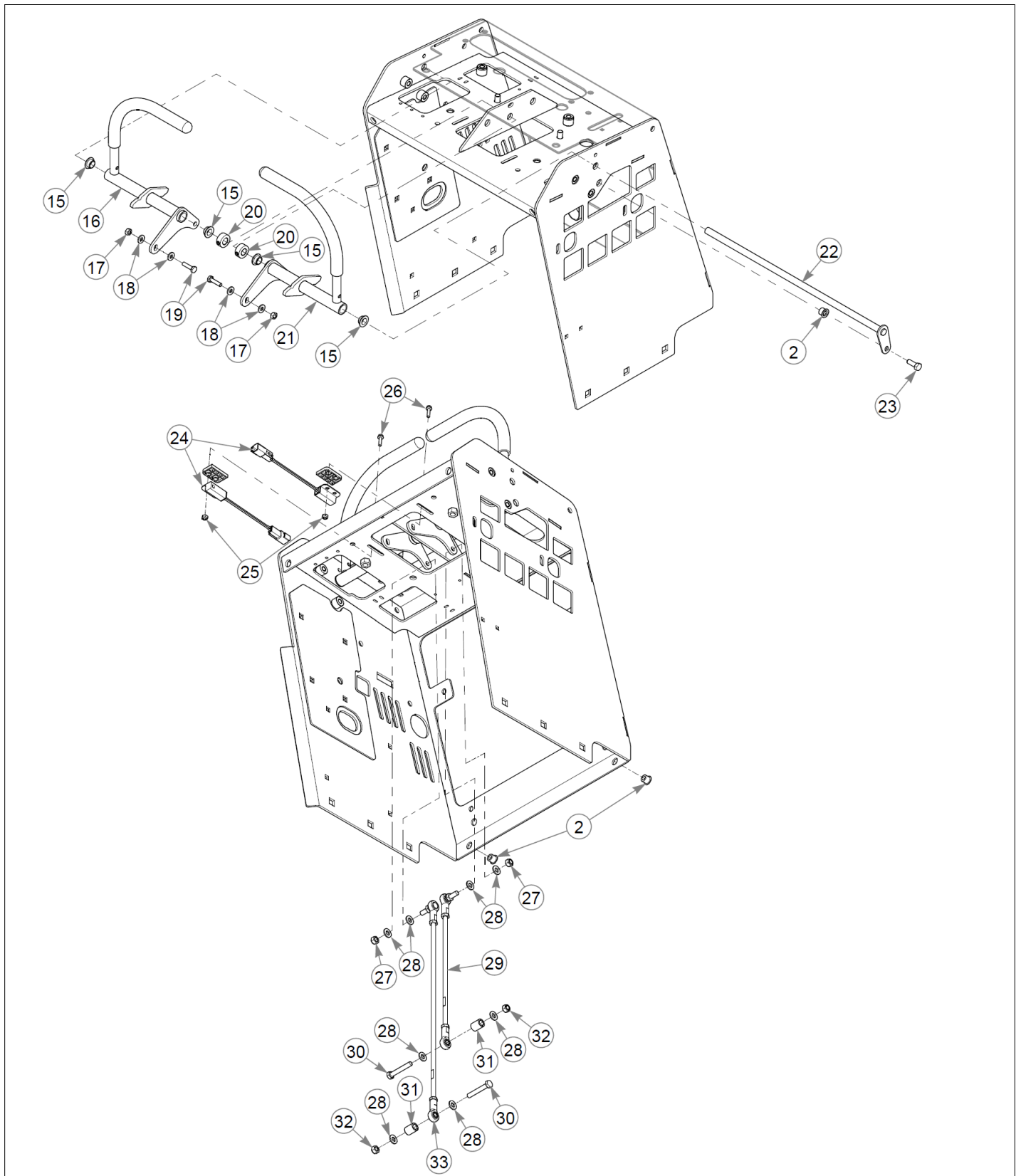
Item	Part No.	Name	Qty	Uom
1	000331	WIRE TIE, SMALL/SHORT	2	EA
2	605850	PULLEY, 6.111"OP MICRO V	1	EA
3	212076	KEY 1/4 SQ X 1.50 LG(FS)	2	EA
4	606259	FW .485X1.46X.25 ZY	1	EA
5	602680	FW .453X1.12X.12 HRD ZY	2	EA
6	606175	CS .437-20X1.75 HXG5 P85	1	EA
7	034272	NT .312-18HXG5	2	EA
8	768523	FW 0.343SAE	4	EA
9	113347	CLUTCH ANCHOR	1	EA
10	036236	CS .312-18X1.000HXG5	2	EA
11	781872	CS .625-11X1.250HXG5	1	EA
12	601488	PULLEY, 4" FLAT IDLER	1	EA
13	122528	IDLER ARM, W/A	1	EA
14	704791	FW 0.781X1.250X0.024	1	EA
15	781153	BUSHING, UHMW	2	EA
16	025296	FW .760X1.63X0.08 ZY	1	EA
17	601084	SB .750X 2.000 SH.625-11	1	EA
18	083196	SS .312-18X0.750SQ	2	EA
19	606031	PULLEY, 6.111"OP MICRO V	1	EA
20	768127	KEY 5mm x30mm RADIUS EN	1	EA
21	606066	PULLEY, 4" FLAT IDLER	1	EA
22	606256	FW .515X1.00X.13 ZY	1	EA
23	017616	CS .500-13X1.750HXG5	1	EA
24	605854	PULLEY, 6.111"OP MICRO V	1	EA
25	781302	IDLER SPRING	1	EA
26	601486	EB, .375-16X3.00 FULTHD	1	EA
27	054502	NT .375-16HXG5	2	EA
28	767954	FW 0.379X.82X.06 HD ZY	2	EA
29	791251	HARNESS, CLUTCH PIGTAIL	1	EA

Item	Part No.	Name	Qty	Uom
Comments for Part Num. 791251				
parts@excelii.com on Aug 28, 2015				
Pigtail was updated with epoxy to hold the wires steady. The wire sheath was also updated to a more flexible material.				
30	606352K	CLUTCH KIT, 606352	1	EA
31	785659	CS .437-20X2.50 HXG5 P85	1	EA
32	606371	BELT, 4-RIB MICRO-V-L	1	EA

Hydraulic & Steering

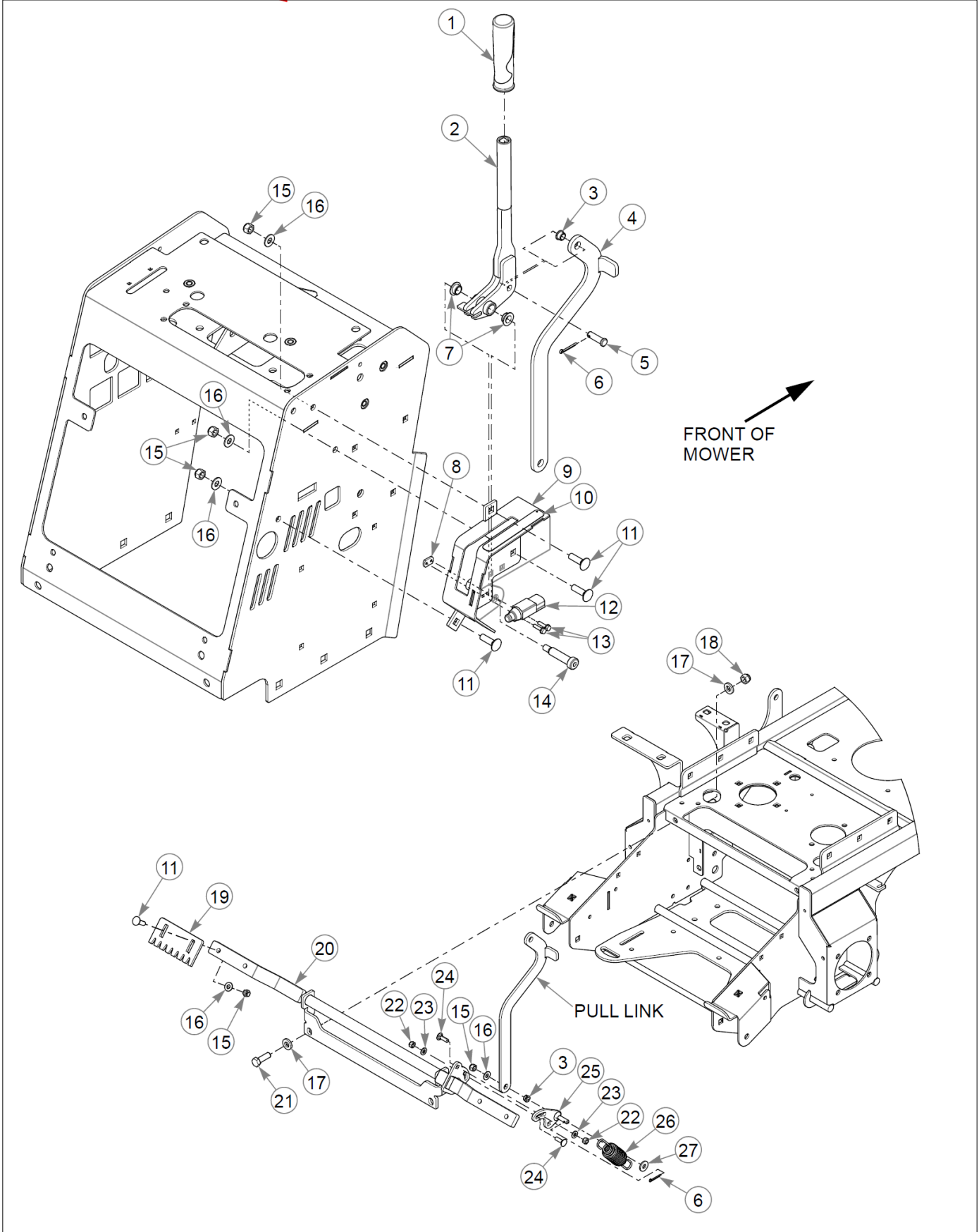


Item	Part No.	Name	Qty	Uom
1	122593	W/A CONTROL TOWER	1	EA
2	808485	RIVET NUT, 5/16-18 THRE	7	EA
3	808477	RIVET NUT, 1/4-20 THREA	4	EA
4	767962	FW .531 x 1.063 x .175	6	EA
5	008193	NT .500-13HXG5	6	EA
6	605869	CB 0.500-13 X 1.250 G5	6	EA
7	120249	STOP-FWD W/A	1	EA
8	767954	FW 0.379X.82X.06 HD ZY	6	EA
9	055822	CS .375-16X0.75 HX G5 ZY	6	EA
10	045088	HOSE CLAMP 1" (FS)	1	EA
11	604816	CS .375-16X1.5 BH ZY	4	EA
12	706168	NT .375-16JAMG5	2	EA
13	120252	STOP-REAR W/A	1	EA
14	054502	NT .375-16HXG5	2	EA
15	768259	BUSHING,IGUS#0810 (FS)	4	EA
16	606369	STEER LEVER W/ GRIP	1	EA
Not Shown	605961	GRIP, STEER LEVER	1	EA
17	024927	NT .250-20HXG5	2	EA
18	768515	FW 0.281SAE	4	EA
19	056077	CS .250-20X1.000HXG5	2	EA
20	788554	LOCK COLLAR, .500x1.000	2	EA
21	606368	STEER LEVER W/ GRIP	1	EA
Not Shown	605961	GRIP, STEER LEVER	1	EA
22	121930	W/A, STEERING PIVOT	1	EA
23	064014	CS .312-18X0.875HXG5	1	EA
24	605325	SWITCH, PROX	2	EA
25	059832	NT #10-24 HX NL ZN	4	EA
26	063198	CS #10-24X0.750FLKG5	4	EA



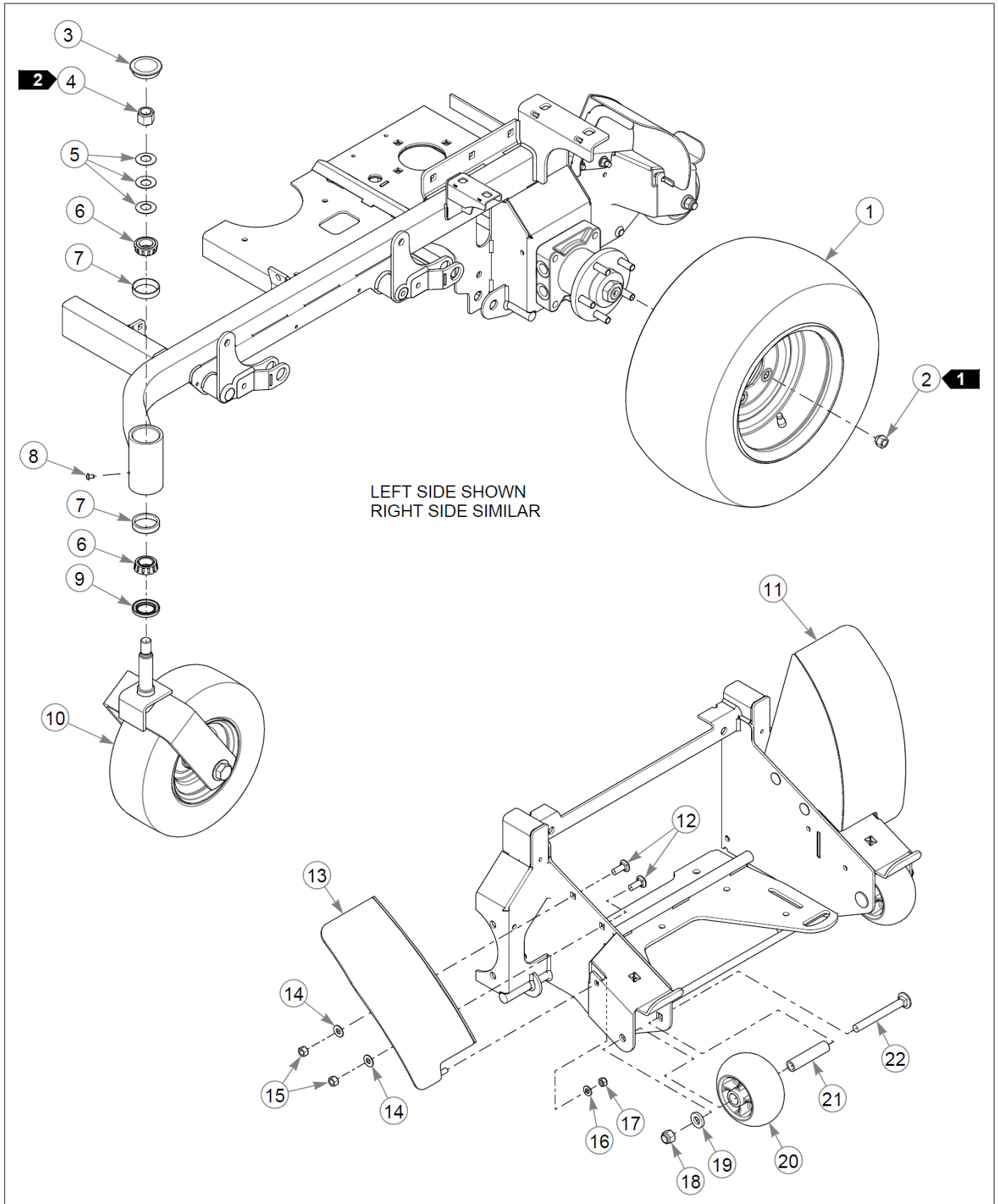
Item	Part No.	Name	Qty	Uom
27	023655	NT .312-24NLG5	2	EA
28	768523	FW 0.343SAE	8	EA
29	606280	PUMP ADJUSTMENT ROD	1	EA
30	064345	CS .312-18X2.000HXG5	2	EA
31	606285	SPACER, .375X.625X.800	2	EA
32	058776	NT .312-18NLG5	2	EA
33	606281	PUMP ADJUSTMENT ROD	1	EA
34	000331	WIRE TIE, SMALL/SHORT	4	EA

Hydraulic & Steering



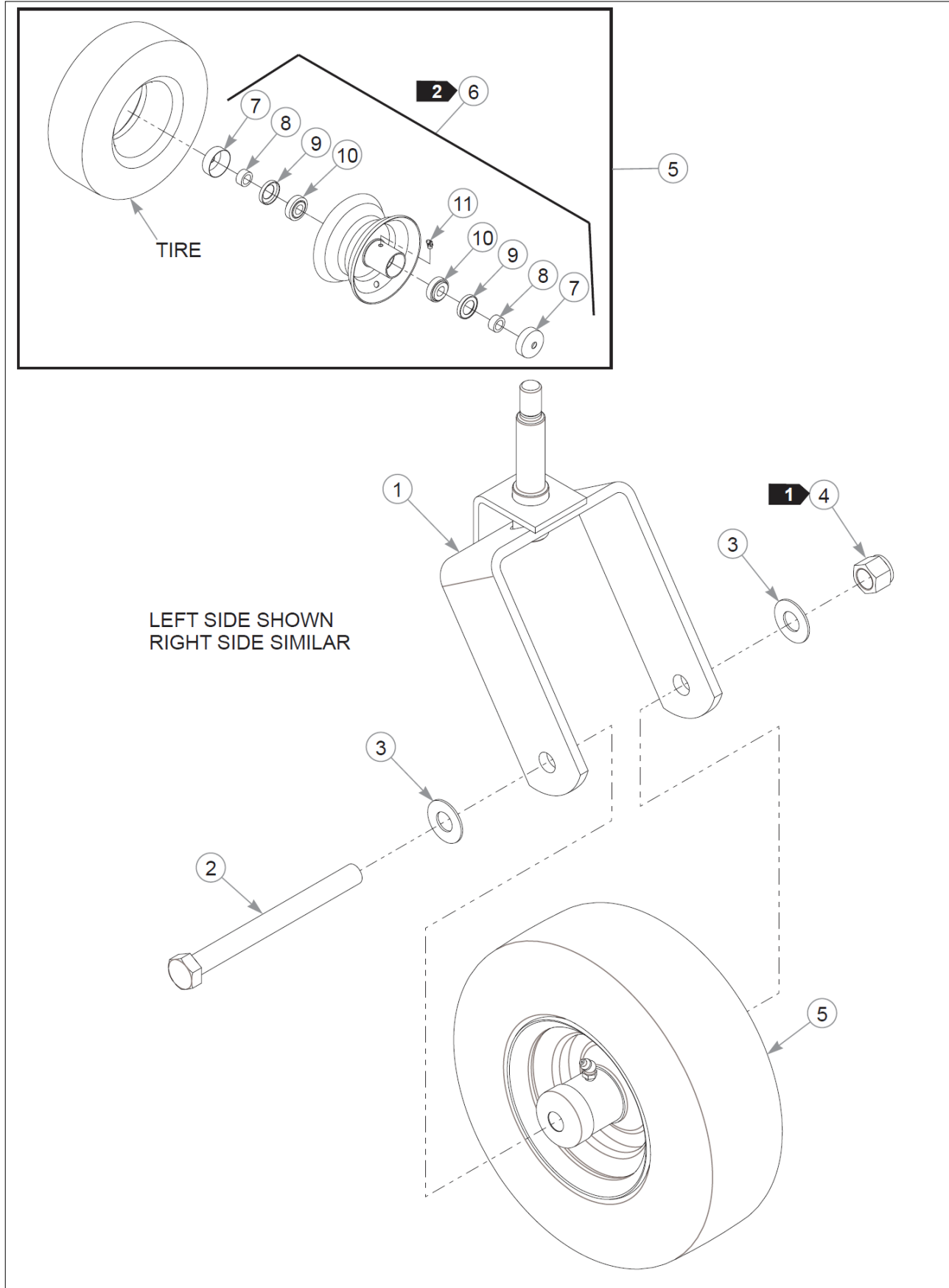
Item	Part No.	Name	Qty	Uom
1	606258	GRIP, PARK BRAKE	1	EA
2	123269	W/A PARK BRAKE HANDLE	1	EA
3	765339	BUSHING,IGUS#0608 (FS)	2	EA
4	122582	PULL LINK	1	EA
5	000174	CE .375X1.25 .156X1.09	1	EA
6	017244	CP .125DX1.000 LG HML Z	2	EA
7	768259	BUSHING,IGUS#0810 (FS)	2	EA
8	601822	NUT PLATE, .420 CENTERS	1	EA
9	553516	SVC, PARK BRAKE BRKT	1	EA
10	601906	DECAL, PARK BRAKE	1	EA
11	603113	CB .375-16X1.250 G5 ZNC	7	EA
12	602538	SWITCH PLUNGER, NC/NO	1	EA
13	063198	CS #10-24X0.750FLKG5	2	EA
14	606288	SB 0.500 0.500 X 17.50	1	EA
15	086660	NT .375-16NLG8	8	EA
16	767954	FW 0.379X.82X.06 HD ZY	8	EA
17	767962	FW .531 x 1.063 x .175	4	EA
18	781567	NT .500-13NLG5	2	EA
19	606299	TEETH PLT PARK BRAKE	2	EA
20	606302	W/A, TREADLOCK	1	EA
21	074252	CS .500-13X1.50 HX G5 ZY	2	EA
22	058776	NT .312-18NLG5	2	EA
23	768523	FW 0.343SAE	2	EA
24	037887	CB .312-18X 1.000 FUL YZ	2	EA
25	606303	BRAKE LINK W/A	1	EA
26	781302	IDLER SPRING	1	EA
27	712919	FW 0.406X1.00X.12 HD ZY	1	EA

Wheels & Tires



Item	Part No.	Name	Qty	Uom
1	606013	TIR/WHL 20X10.00-10 SLV	2	EA
2	061077	WHEEL NUT	10	EA
3	606711	DUST CAP	2	EA
4	061101	NT .750-10 HX ZY NL GR B	2	EA
5	606715	CW 0.766 X 1.50 X .093	6	EA
6	606712	BEARING, TAPERED ROLLER	4	EA
7	606713	RACE, TAPERED ROLLER	4	EA
8	606817	GREASE PLUG	2	EA
9	606714	SEAL, 1.25 X 1.98	2	EA
10		REFER TO "FRONT TIRE ASSEMBLY BREAKDOWN"	2	EA
11	122576	FENDER W/A	1	EA
12	025395	CB .375-16X 1.00 G5 ZNY	4	EA
13	122572	FENDER W/A	1	EA
14	767954	FW 0.379X.82X.06 HD ZY	4	EA
15	054502	NT .375-16HXG5	4	EA
16	768523	FW 0.343SAE	2	EA
17	058776	NT .312-18NLG5	2	EA
18	781567	NT .500-13NLG5	2	EA
19	767962	FW .531 x 1.063 x .175	2	EA
20	602263	WHEEL, ANTI-SCALP	2	EA
21	602345	SPACER, ANTI-SCALP 3.22	2	EA
22	602339	CB .50-13 X 4.50 STD ZN	2	EA

Wheels & Tires



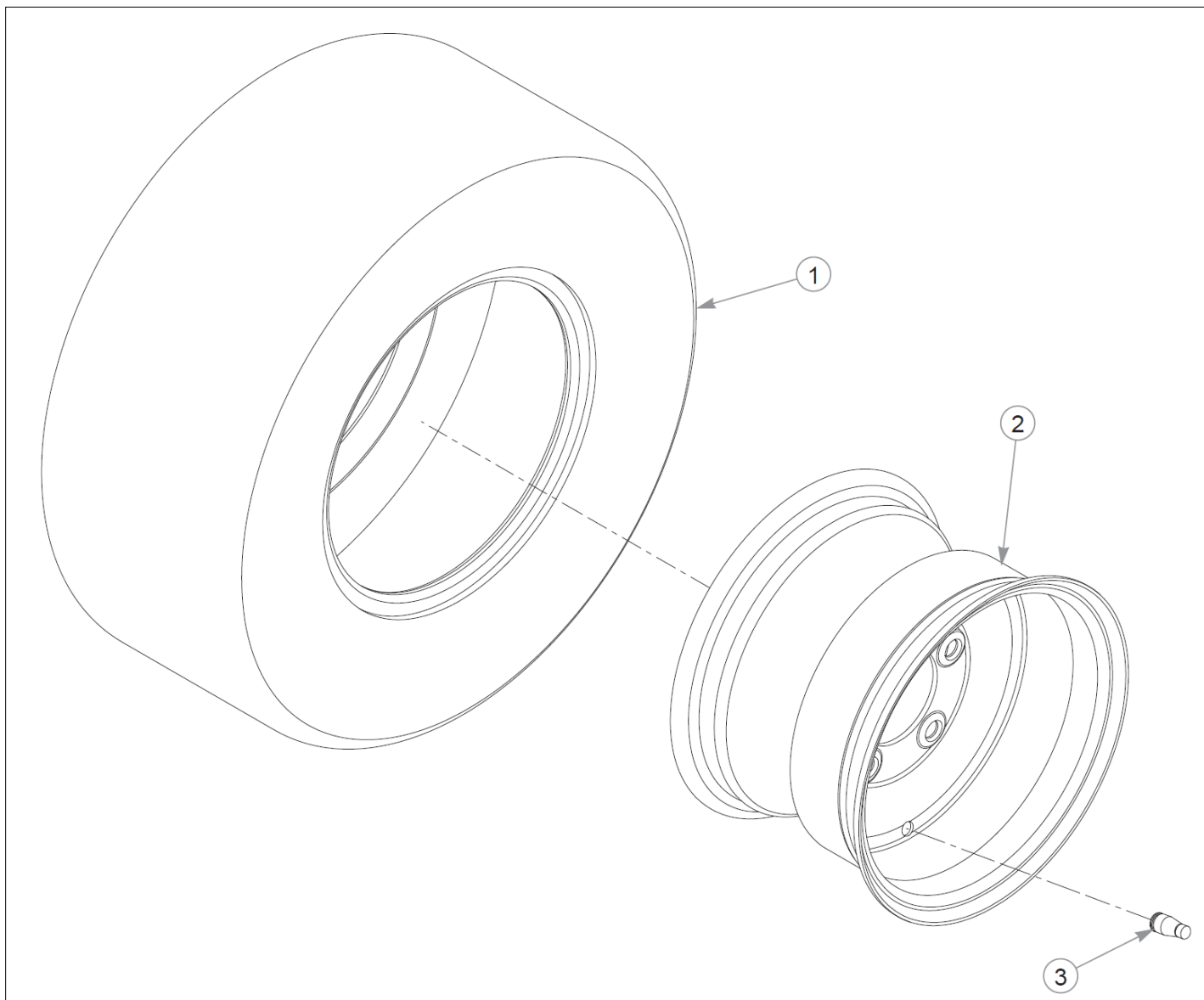
Item	Part No.	Name	Qty	Uom
1	123651-1	W/A, CASTER FORK	1	EA
2	786731	CS .750-10X8.000HXG5	1	EA
3	025296	FW .760X1.63X0.08 ZY	2	EA
4	061101	NT .750-10 HX ZY NL GR B	1	EA
5	606742	TIR/WHL 13X5.00-6 SLV	1	EA
6	606749	WHL 6X3.25 SLV	1	EA
7	606815	DUST CAP, 0.752 ID	2	EA
8	606778	SPACER, 0.531	2	EA
9	606780	SEAL	2	EA
10	606753	BEARING, TAPERED ROLLER	2	EA
11	606777	GREASE FITTING	1	EA

Comments for Page: Front Wheel Assembly Breakdown

jmumford@excelii.com on Jan 17, 2018

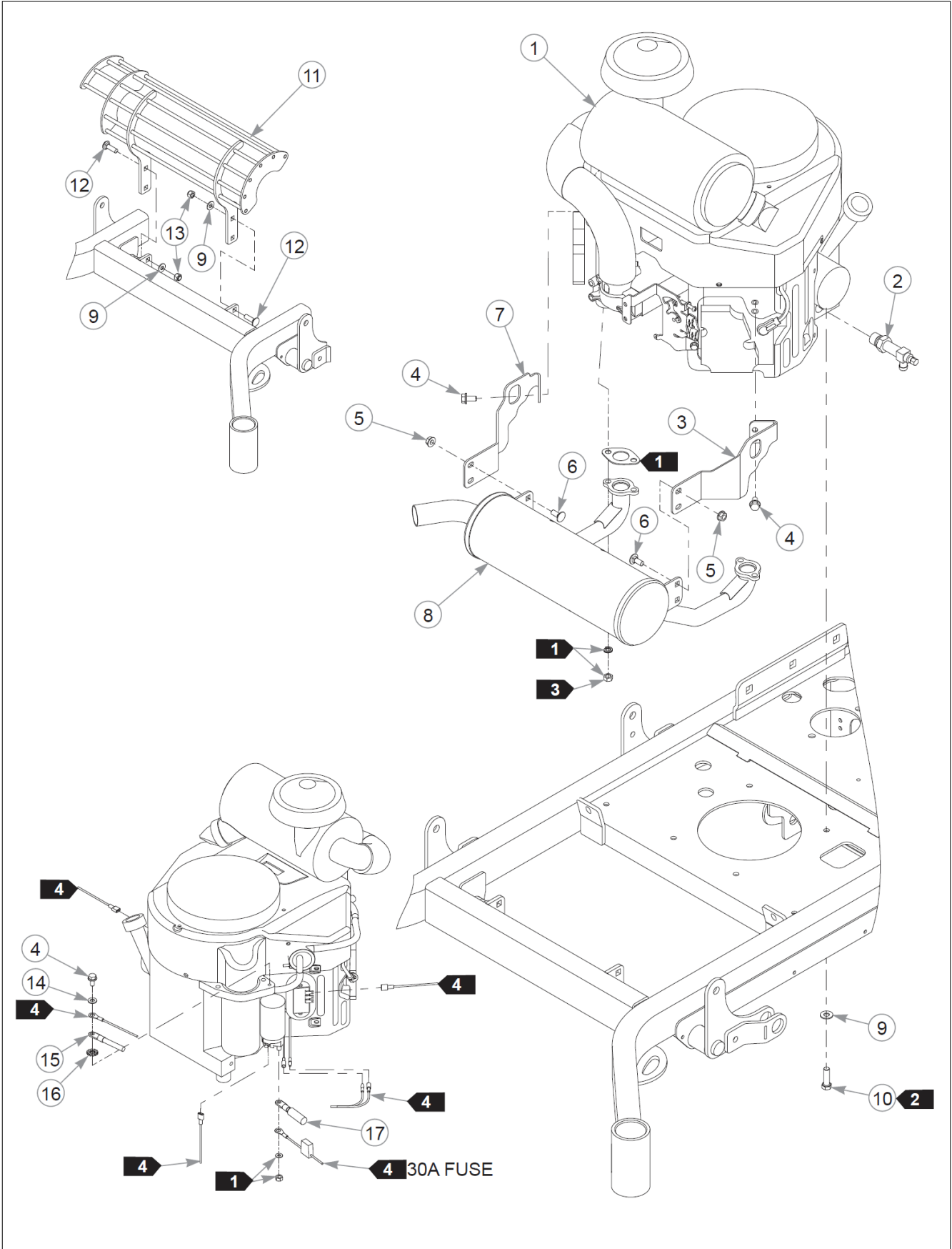
1. Tighten, then back off the nut until the wheel spins freely. 2. Refer to the General Service Manual for wheel bearing service procedures. The wheel assembly (606749) includes items 7-11.

Wheels & Tires



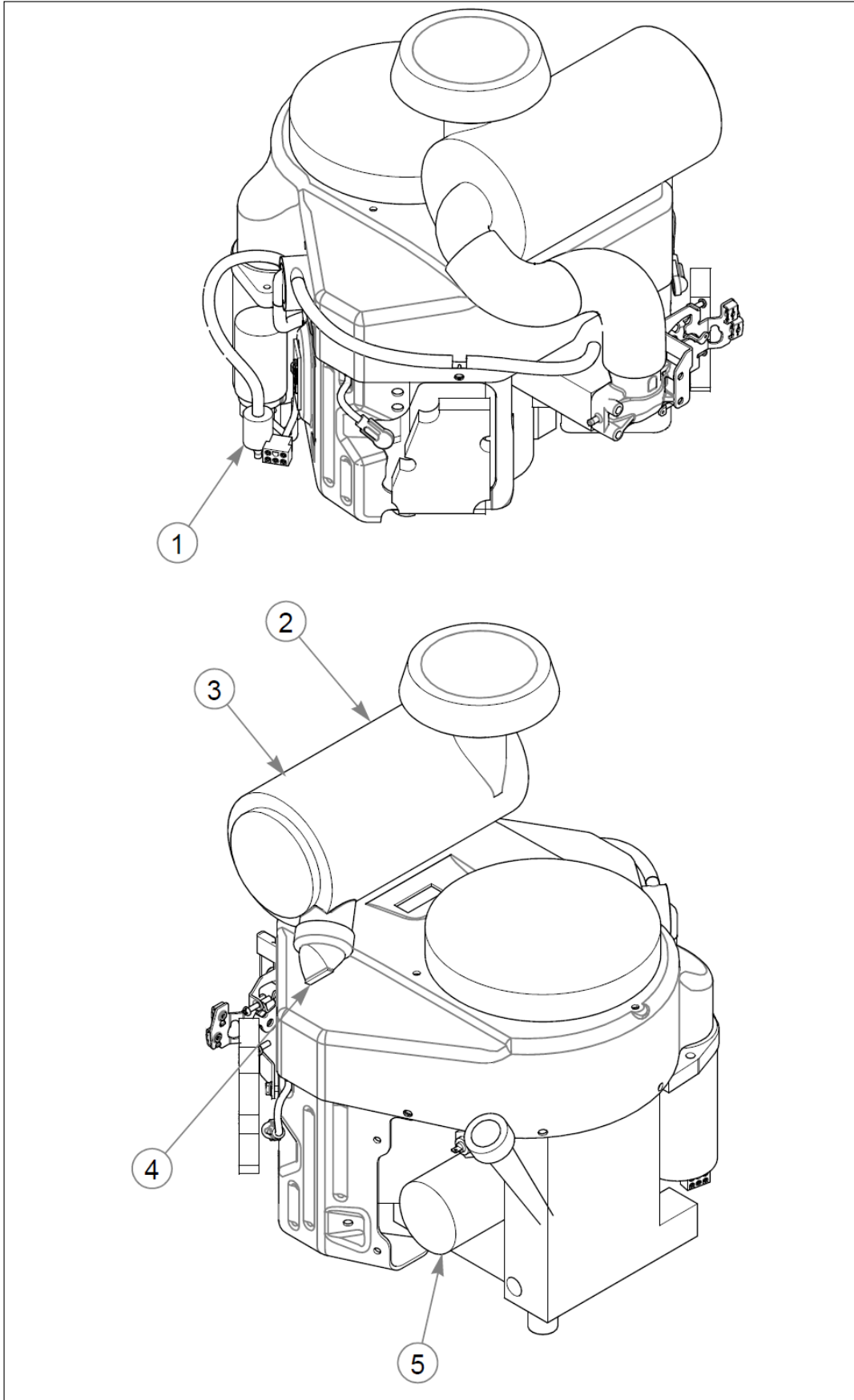
Item	Part No.	Name	Qty	Uom
1	600684	TIR 20X10.00-10 B4R GRMR	1	EA
2	606255	WHEEL, 10X7	1	EA
3	019521	TIRE VALVE TR-412 GOODY	1	EA

Engine & Fuel System



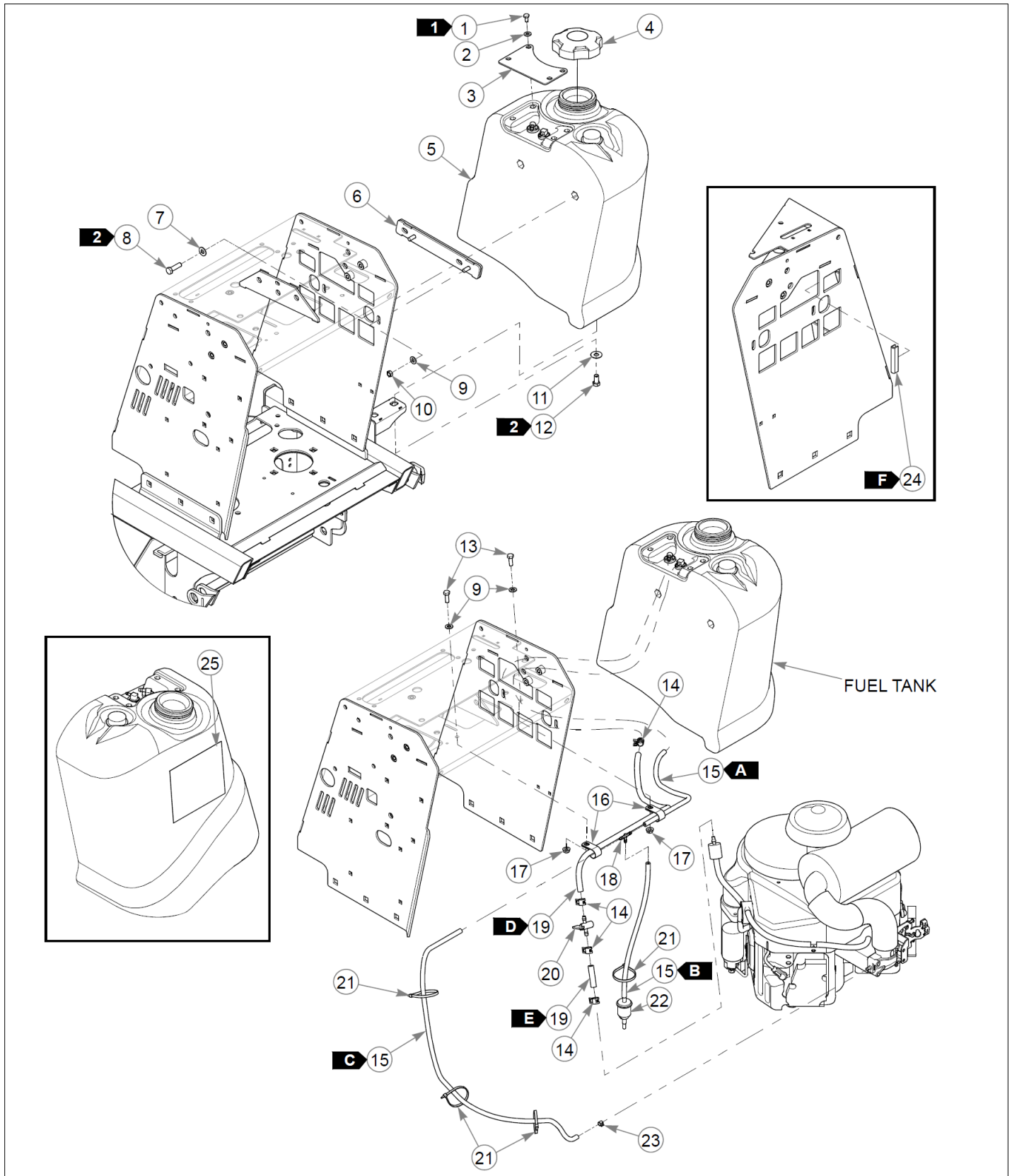
Item	Part No.	Name	Qty	Uom
1		KAWASAKI FX691V ENGINE	1	EA
2	796524	VALVE,OIL DRAIN M20x2.5	1	EA
3	122340	STAY, MUFFLER	1	EA
4	720516	CS M8-1.25X16HX FL10.9	5	EA
5	016832	NT .312-18FLKG5	4	EA
6	016253	CB .312-18X .750 FUL ZN	4	EA
7	122341	STAY, MUFFLER	1	EA
8	606043	MUFFLER, FX730V	1	EA
9	767954	FW 0.379X.82X.06 HD ZY	8	EA
10	602580	CS .375-16X1.25HXG8ZY85	4	EA
11	122637	MUFFLER GUARD W/A	1	EA
12	603113	CB .375-16X1.250 G5 ZNC	4	EA
13	086660	NT .375-16NLG8	4	EA
14	768523	FW 0.343SAE	1	EA
15	780015	BATTERY CABLE, (-) ES W	1	EA
16	029876	LW .312 INTEXT ZY	1	EA
17	602099	BATTERY CABLE, POS.	1	EA

Engine & Fuel System



Item	Part No.	Name	Qty	Uom
1	068478	FUEL FILTER IN-LINE	1	EA
2	785261	AIR FLTR ELEMENT - MAIN	1	EA
3	785279	AIR FLTR ELEMENT -SAFETY	1	EA
4	763318	VALVE, VACUATOR (SERV P	1	EA
5	602581	OIL FILTER, KAW ENG.	1	EA

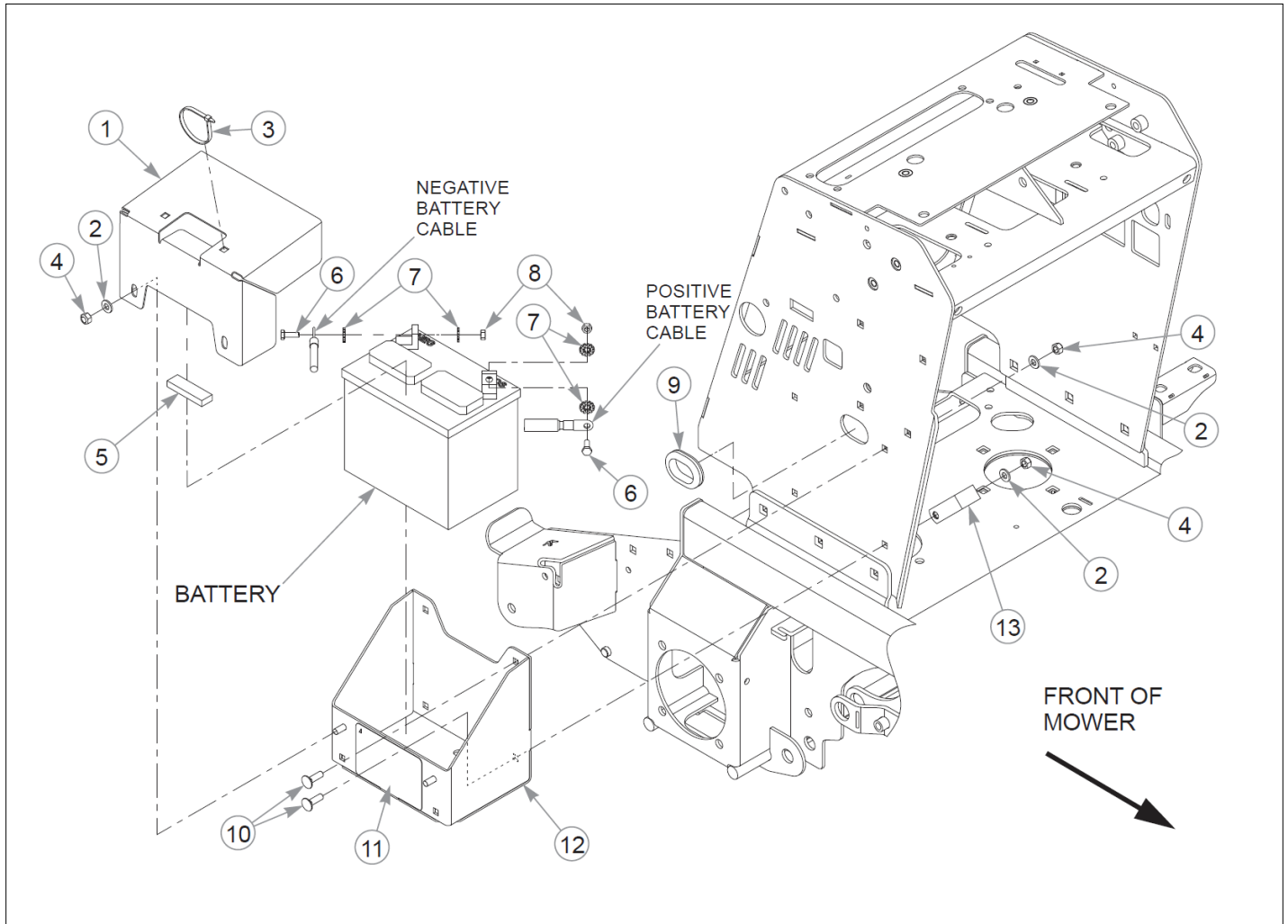
Engine & Fuel System



Item	Part No.	Name	Qty	Uom
1	055947	CS .250-20X0.50 HX G5 ZY	4	EA
2	768515	FW 0.281SAE	4	EA
3	122115	FUEL TANK COVER PLATE	1	EA
4	603807	CAP, 3.5" RATCHETING GAS	1	EA
5	605908	FUEL TANK	1	EA
6	122671	TANK SPACER W/A	1	EA
7	767954	FW 0.379X.82X.06 HD ZY	2	EA
8	052860	CS .375-16X1.25 HX G5 ZY	2	EA
9	768523	FW 0.343SAE	4	EA
10	604251	NT .312-18 HXNL JAM G2ZN	2	EA
11	076422	FW 0.406X1.000X0.060	4	EA
12	055822	CS .375-16X0.75 HX G5 ZY	4	EA
13	064014	CS .312-18X0.875HXG5	2	EA
14	000323	CLIP, HOSE CLAMP	4	EA
15	603326	VAPOR LINE, 3/16"	67"	FT
<p>Comments for Part Num. 603326</p> <p>parts@excelii.com on Jan 19, 2018 Sold by the foot.</p>				
16	043570	CLIP - HOSE - SINGLE(FS)	2	EA
17	016832	NT .312-18FLKG5	2	EA
18	605690	TEE, 3/16" PLASTIC	1	EA
19	015818	FUEL LINE, 1/4"	27"	FT
<p>Comments for Part Num. 015818</p> <p>parts@excelii.com on Jan 19, 2018 Sold by the foot.</p>				
20	605601	FUEL SHUT-OFF VALVE	1	EA
21	000331	WIRE TIE, SMALL/SHORT	4	EA

Item	Part No.	Name	Qty	Uom
22	604323	FILTER, VAPOR SYSTEM	1	EA
23	603112	CLAMP, 3/16 FUEL	1	EA
24	033001	FLEXIBLE TRIM UNI-GRIP	2.5"	FT
25	606052	DECAL, TANK	1	EA

Electrical



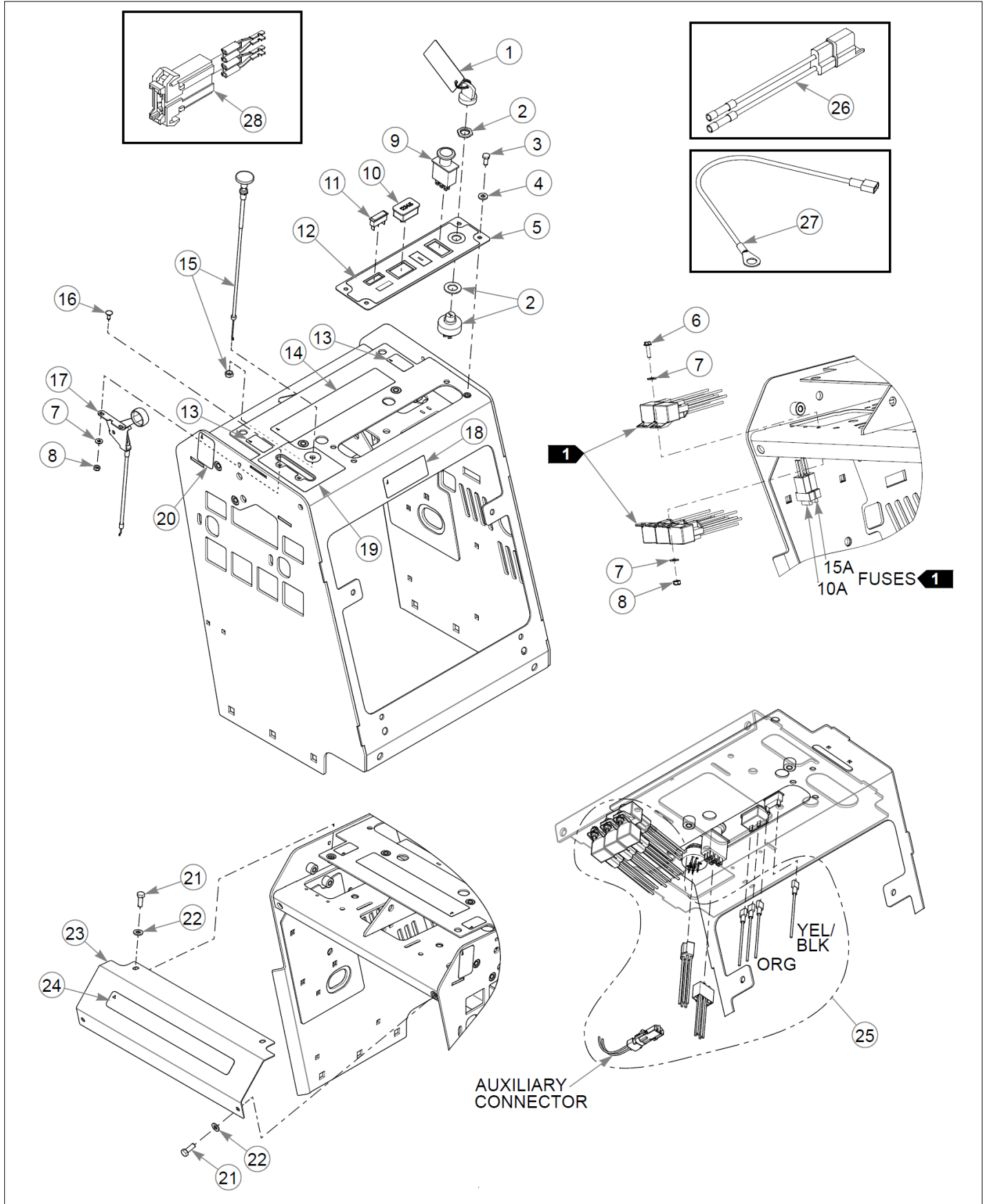
Item	Part No.	Name	Qty	Uom
1	122629	BATTERY COVER	1	EA
2	768523	FW 0.343SAE	6	EA
3	000331	WIRE TIE, SMALL/SHORT	1	EA
4	058776	NT .312-18NLG5	6	EA
5	713198	SEAL 3/8x3/4 SOLD BY FT	1	cm
6	055939	CS .250-20X0.75 HX G5 ZY	2	EA
7	029868	LW .250 INTEXT ZY	4	EA
8	024927	NT .250-20HXG5	2	EA
9	794644	GM 1.50 X 2.12 X 1.75	1	EA
10	037887	CB .312-18X 1.000 FUL YZ	4	EA
11	601815	DECAL, BATTERY WARNINGS	1	EA
12	553517	SVC, BATTERY BOX	1	EA
13	045088	HOSE CLAMP 1" (FS)	1	EA

Comments for Page: Battery

jmumford@excelii.com on Jul 9, 2018

1. When performing service on the mower, disconnect the negative (black) battery cable and do not reconnect it to the battery until ready to start the engine.

Electrical



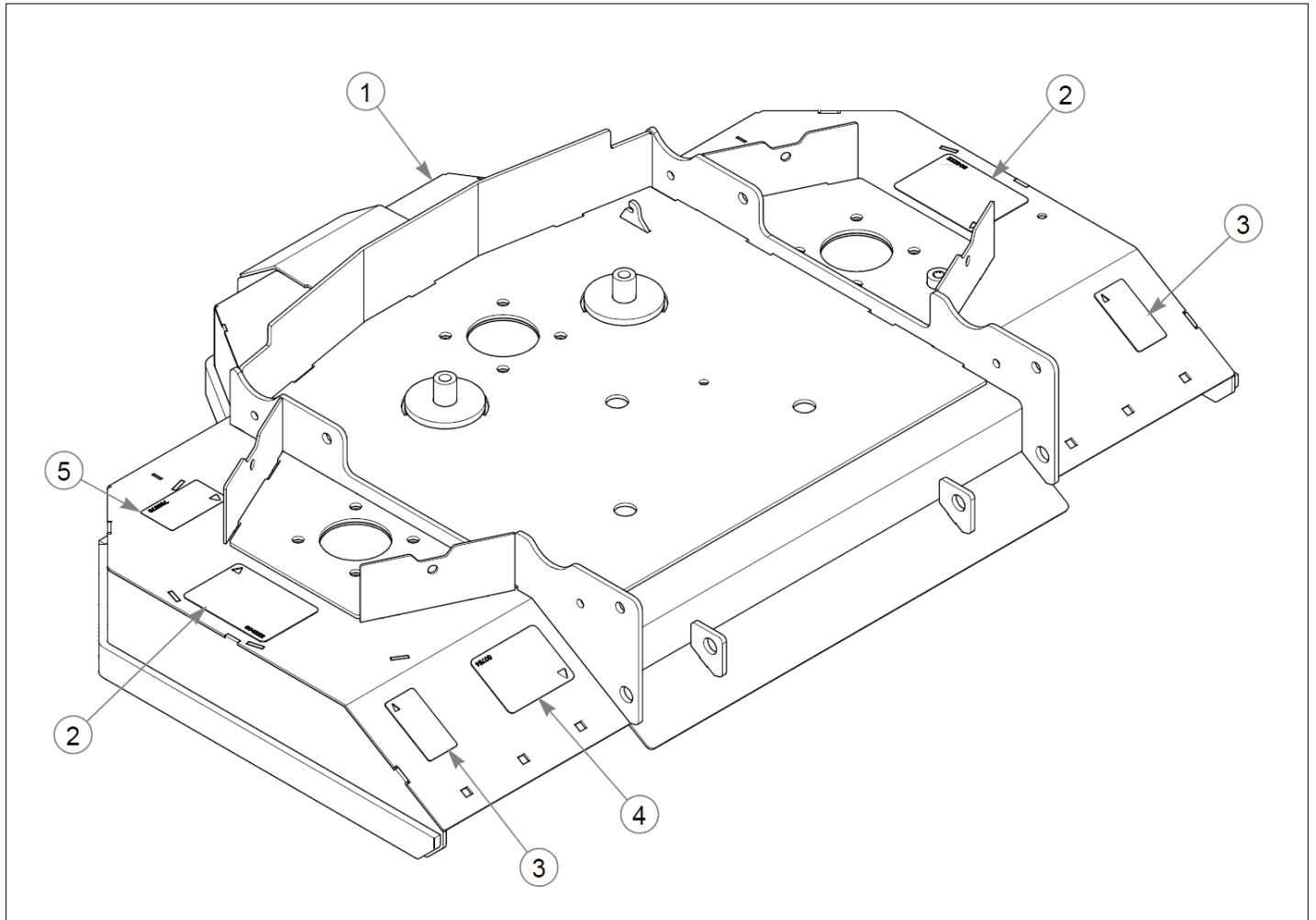
Item	Part No.	Name	Qty	Uom
1	785808	KEY ASSEMBLY	1	EA
2	045898	IGNITION SWITCH	1	EA
3	064329	CS .250-20X0.625HXG5	4	EA
4	768515	FW 0.281SAE	4	EA
5	553513	SVC, INSTRUMENT PANEL	1	EA
6	063198	CS #10-24X0.750FLKG5	3	EA
7	704932	FW 0.219X.50X.05 ZY	8	EA
8	059832	NT #10-24 HX NL ZN	5	EA
9	776476	SWITCH, PTO 6201-321	1	EA
10	769166	HOUR METER	1	EA
11	712257	INDICATOR LIGHT, RED(FS)	1	EA
12	606154	DECAL, INSTRUMENT PANEL	1	EA
13	606218	DECAL, STEERING	2	EA
14	606215	DECAL, SAFE OPERATION	1	EA
15	601097	CABLE, CHOKE	1	EA
16	601098	CB 10-24 X .500 ZYNC	2	EA
17	778365	CABLE, THROTTLE	1	EA
18	601058	DECAL, HOT/SYN HYDRO OIL	1	EA
19	606155	DECAL, INSTRUMENT PANEL	1	EA
20	605688	DECAL, LEVEL FUEL FILL	1	EA
21	064014	CS .312-18X0.875HXG5	4	EA
22	768523	FW 0.343SAE	4	EA
23	553515	SVC, COVER PANEL	1	EA
24	602407	DECAL, HUSTLER ID	1	EA
25	605911	WIRE HARNESS	1	EA
26	114052	KIT, CLUTCH CONN. REP.	1	EA
27	604430	WIRE HARNESS	1	EA
28	601047	HOLDER, FUSE	1	EA

Comments for Page: Instrument Panel & Wire Harness

jmumford@excelii.com on Aug 16, 2017

1. Part of the wire harness.

Deck



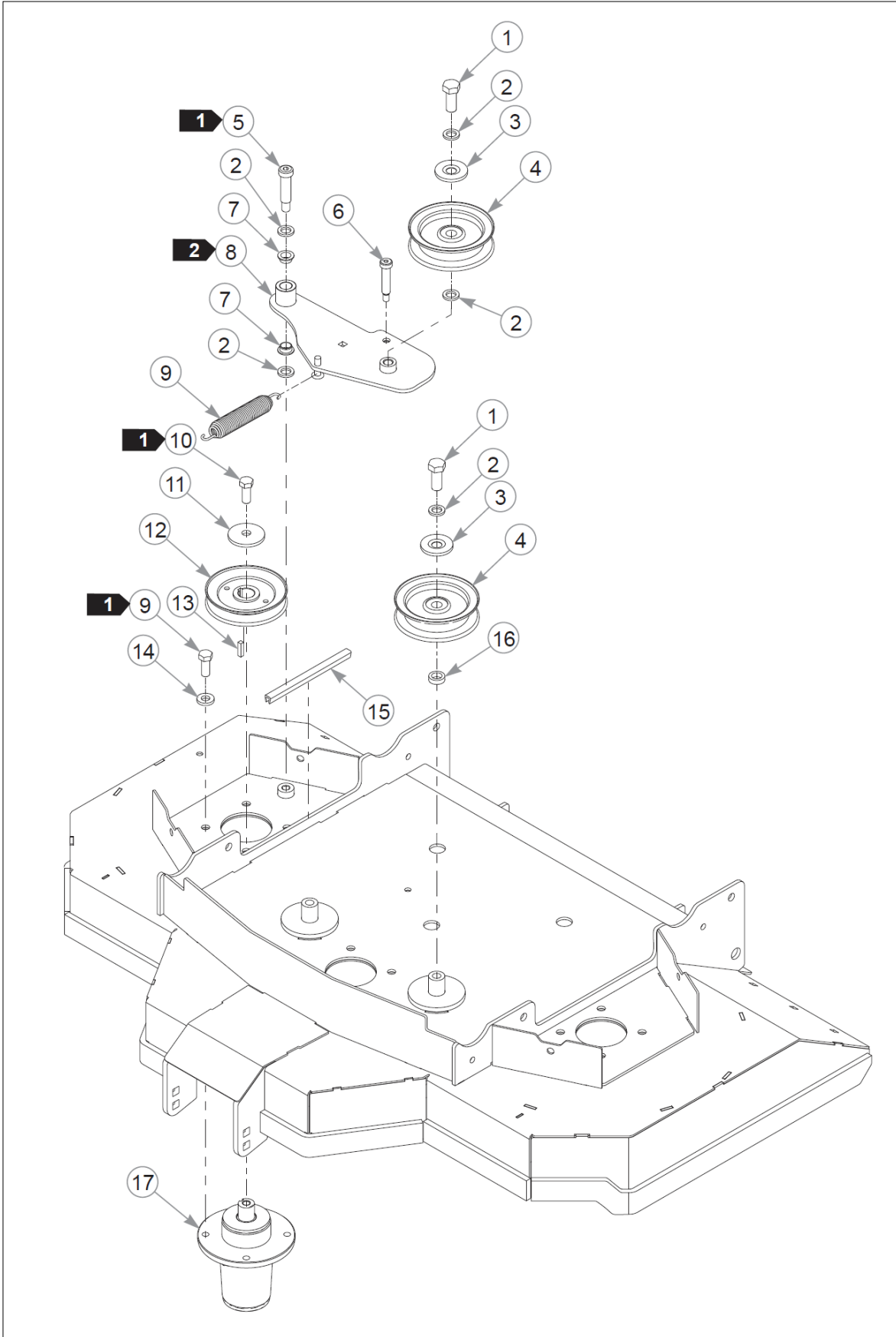
Item	Part No.	Name	Qty	Uom
1	554612	SVC, DECK DECAL ASSY	1	EA
2	604222	DECAL, DANGER / OBJECTS	2	EA
3	603391	DECAL, RUBBER FLAP	2	EA
4	607114	DECAL, BELT ROUTING	1	EA
5	793976	DECAL,48"DECK ID	1	EA

Comments for Page: Service Deck

jmumford@excelii.com on Apr 20, 2018

1. The deck includes the decals.

Deck



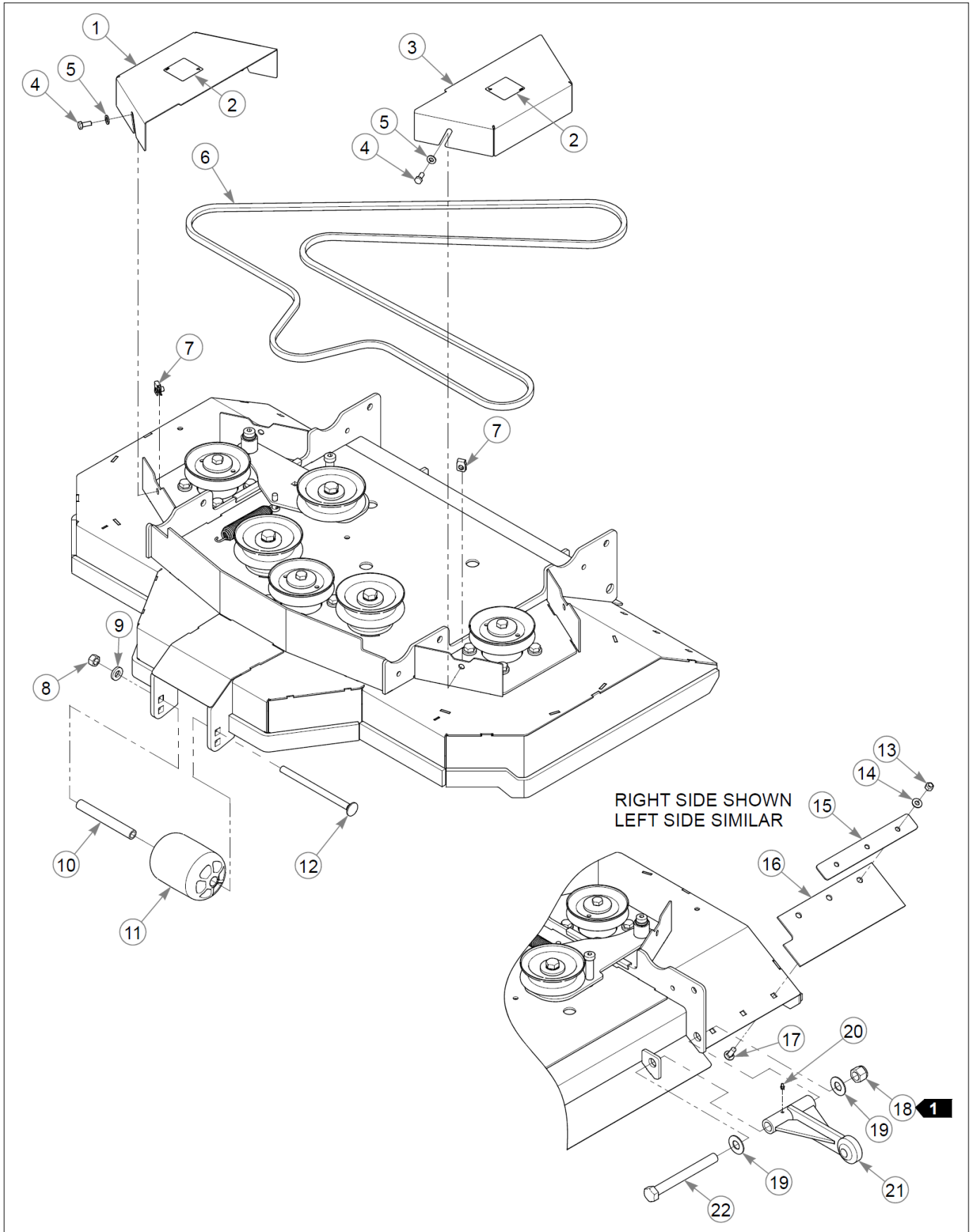
Item	Part No.	Name	Qty	Uom
1	794446	CS .625-11X1.500HXG5	3	EA
2	028118	FW 0.625X1.00X.13 ZY	6	EA
3	603057	DUST SHIELD W/OFFSET	3	EA
4	603784	IDLER, FLAT 4.0" DEEP	3	EA
5	606149	SB .625 X 2.00 SH.50-13	1	EA
6	606386	SB 0.500 X 2.000	1	EA
7	602539	BUSHING, .625 I.D.	2	EA
8	124742-4	IDLER ARM W/A	1	EA
9	122388	SPRING	1	EA
10	705954	CS .500-13X1.25 HX G5 ZY	15	EA
11	752386	CW .515X 2.25X .204 BLK	3	EA
12	602842	PULLEY, DRIVE 5.187 OP	3	EA
13	212472	KEY 1/4 SQ X 1.00 LG(FS)	3	EA
14	767962	FW .531 x 1.063 x .175	12	EA
15	606351	J-LEG, UHMW, .25"	1	EA
16	600296	SPACER, DECK IDLER	2	EA
17	604255	SPINDLE ASSY, DUCTILE	3	EA
<p>Comments for Part Num. 604255</p> <p>parts@excelii.com on Apr 15, 2015</p> <p>Spindle has no service parts available. Replace complete spindle assembly.</p>				

Comments for Page: Deck Pulleys & Spindles

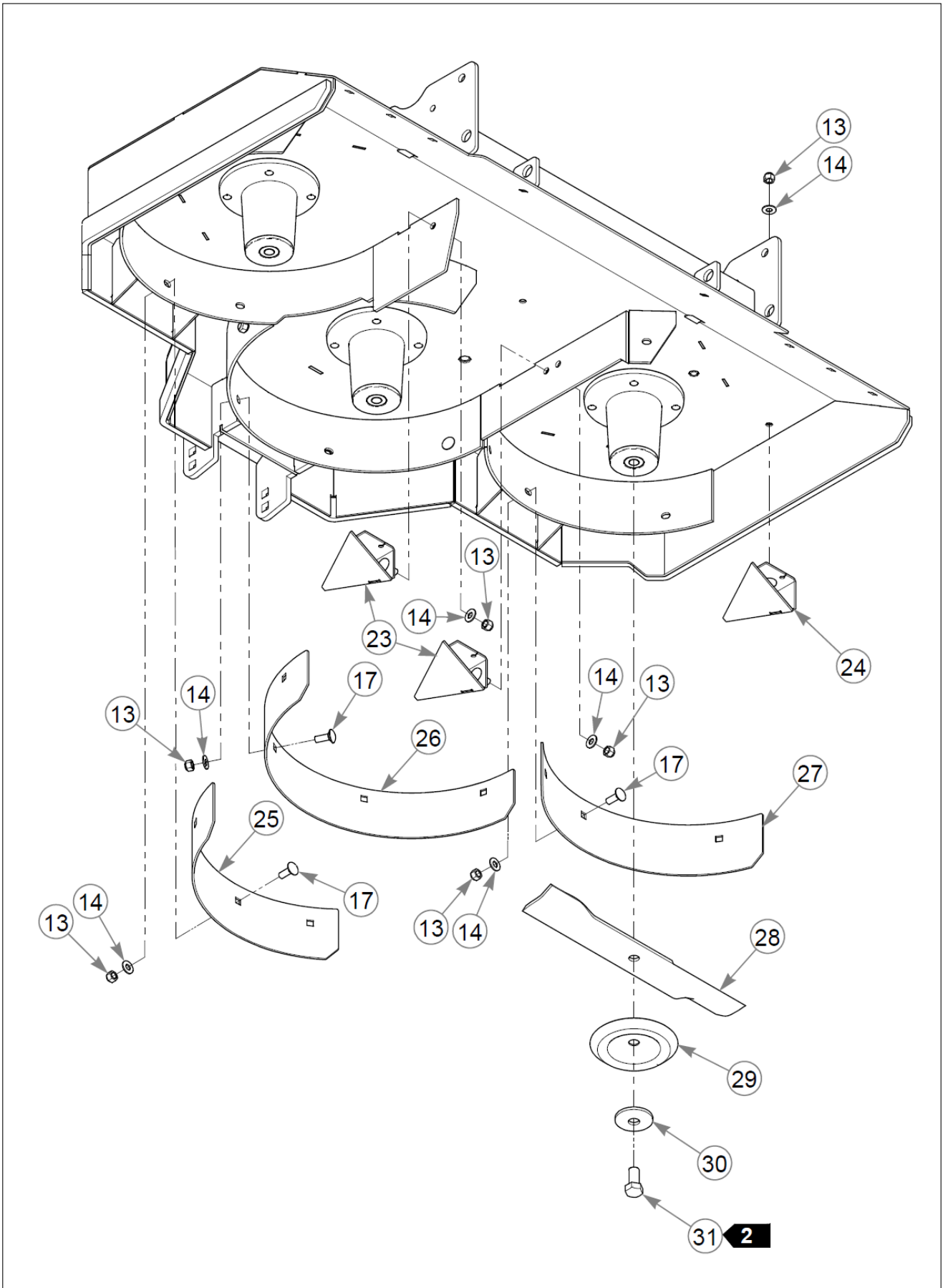
jmumford@excelii.com on Apr 20, 2018

1. Torque to 91–99 N•m. 2. The idler arm must pivot freely.

Deck



Item	Part No.	Name	Qty	Uom
1	554705	SVC, PULLEY COVER RH	1	EA
2	602562	DECAL, NO SERVICE	2	EA
3	554706	SVC, PULLEY COVER LH	1	EA
4	034280	CS .312-18X0.750HXG5	4	EA
5	768523	FW 0.343SAE	4	EA
6	607126	BELT, B SECTION	1	EA
7	601069	CN .312-18x.200 MAX THK	4	EA
8	008193	NT .500-13HXG5	1	EA
9	767962	FW .531 x 1.063 x .175	1	EA
10	602344	SPACER, ANTI- SCALP 5.73	1	EA
11	602341	WHEEL, ANTI-SCALP	1	EA
12	602338	CB .50-13 X 7.50 STD ZN	1	EA
13	086660	NT .375-16NLG8	19	EA
14	767954	FW 0.379X.82X.06 HD ZY	19	EA
15	124729-1	CLAMP PLATE	2	EA
16	607062	RUBBER FLAP	2	EA
17	025395	CB .375-16X 1.00 G5 ZNY	16	EA
18	061101	NT .750-10 HX ZY NL GR B	2	EA
19	025296	FW .760X1.63X0.08 ZY	4	EA
20	015495	GREASE FITTING STRAIGHT	2	EA
21	124730-4	PUSHER W/A	2	EA
22	607117	CS .750-10 X 7.0 G5 ZN	2	EA
23	124737-1	RAMP W/A	2	EA
24	124740-1	RAMP W/A RH	1	EA
25	124779-1	WRAPPER EXT, LH	1	EA
26	124736-1	WRAPPER EXT, CENTER	1	EA
27	124735-1	WRAPPER EXT, SIDE	1	EA
28	601123	BLADE, 16.50"-L-F-CW	3	EA
29	114988	SHIELD, BLADE BOLT	3	EA



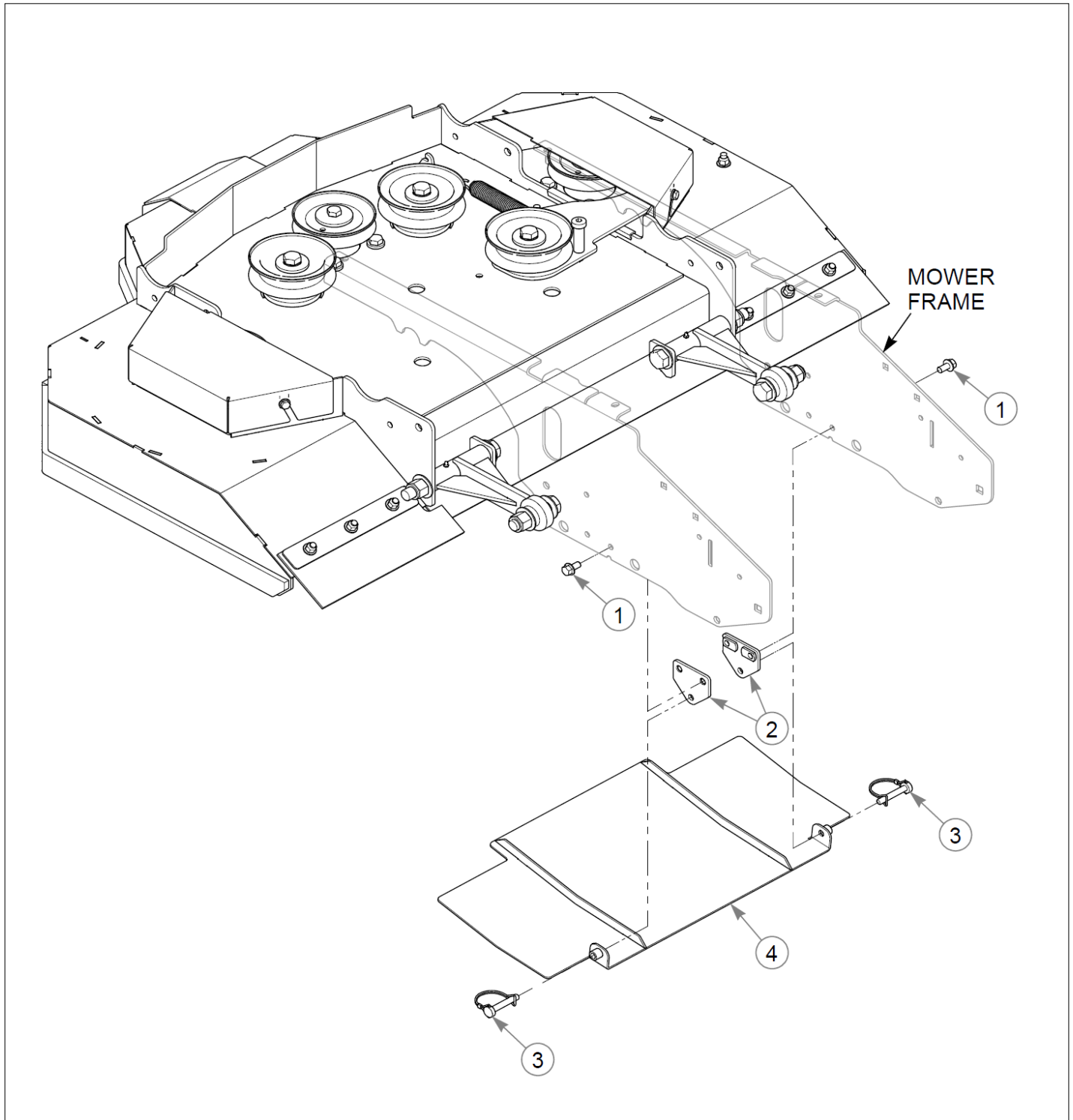
Item	Part No.	Name	Qty	Uom
30	782474	CW .678 X 2.250 X .187	3	EA
31	781872	CS .625-11X1.250HXG5	3	EA

Comments for Page: Deck (Multi-Page)

jmumford@excelii.com on Apr 20, 2018

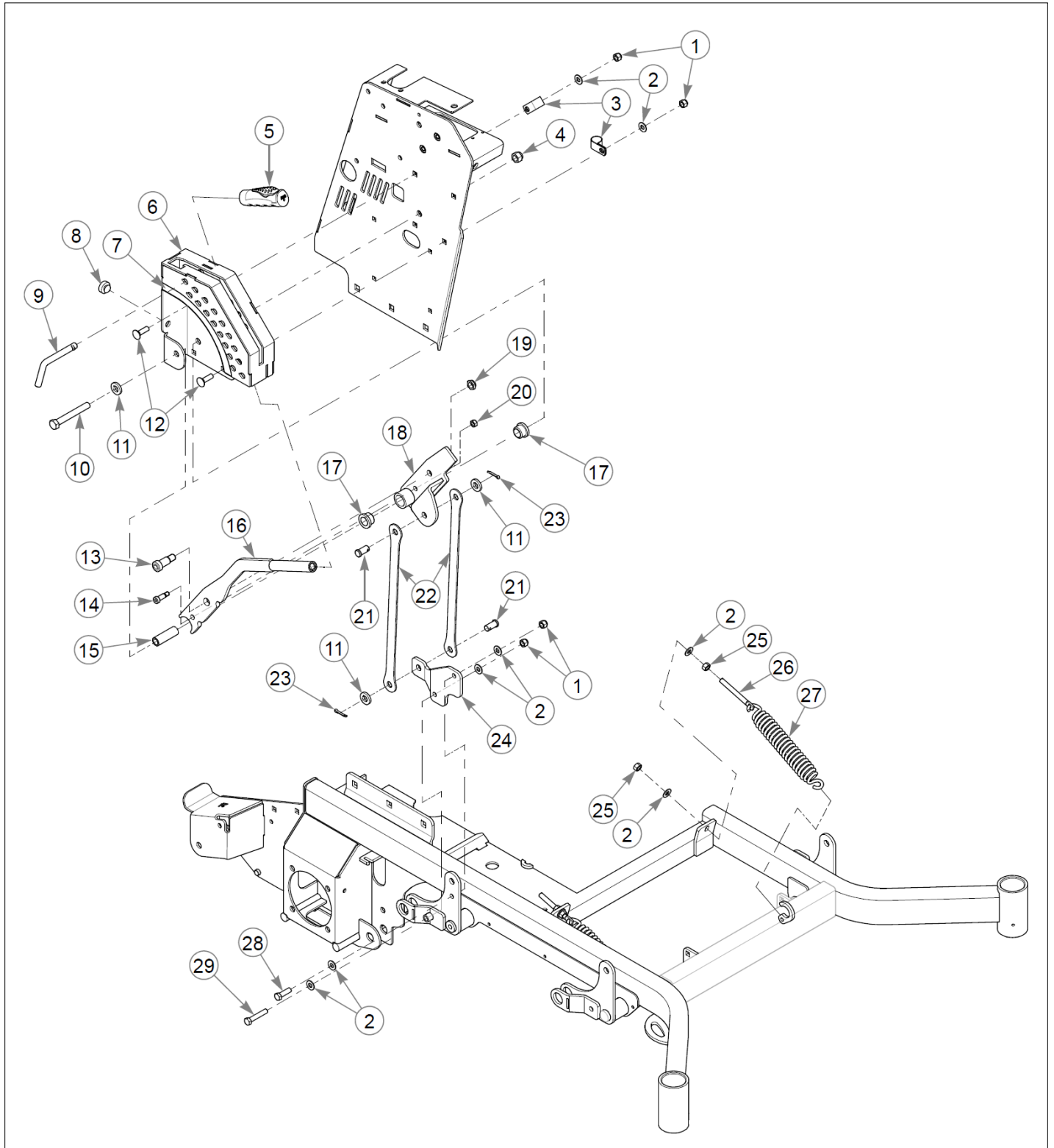
1. Tighten to remove play on the cap screw. The pusher must rotate freely.2. Torque to 160 N•m.3. The pulleys covers include the decals.

Deck

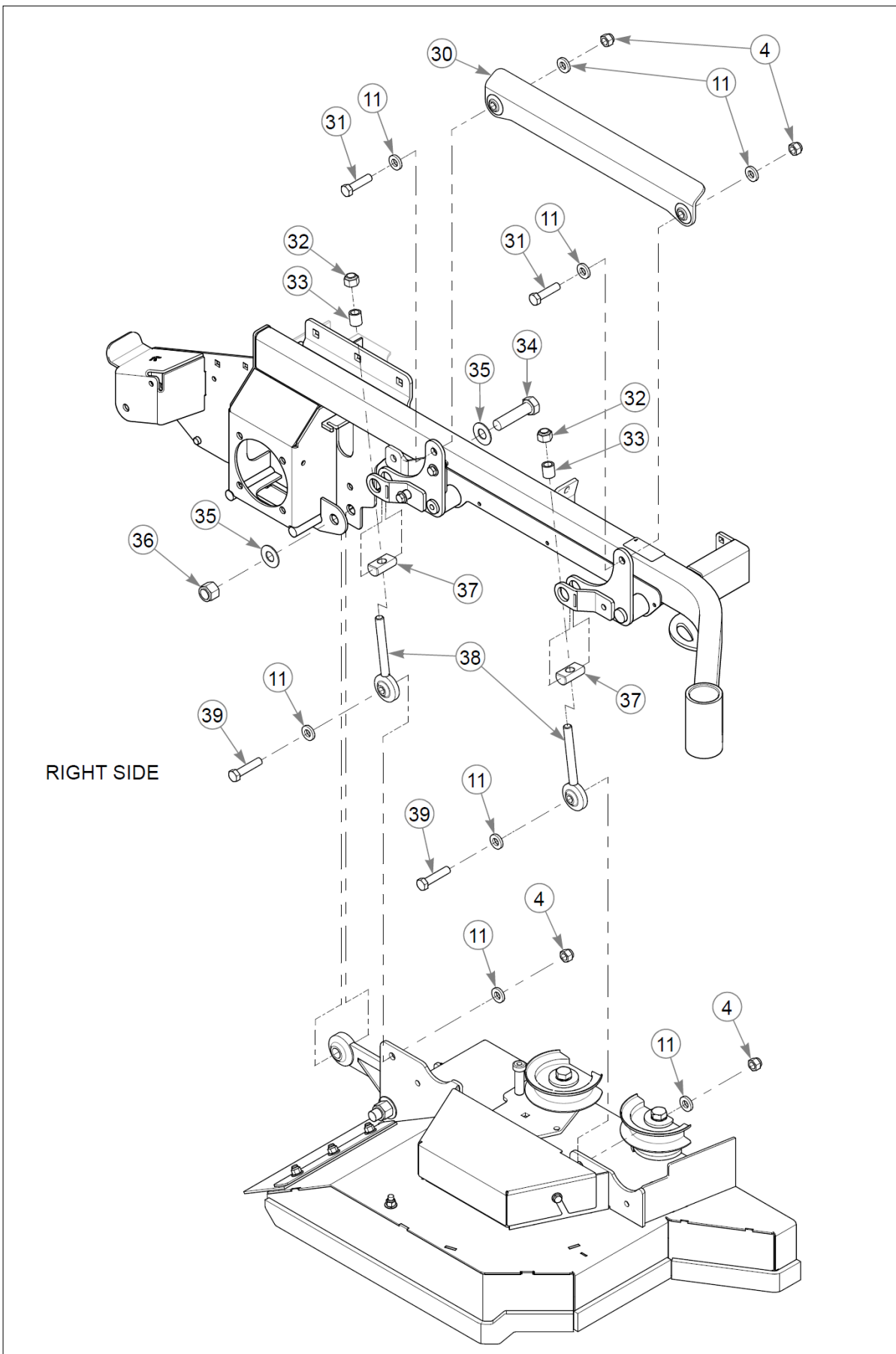


Item	Part No.	Name	Qty	Uom
1	029629	CS .375-16X0.75 HXF G5ZY	4	EA
2	124748-1	PIVOT BRKT W/A	2	EA
3	604803	CE .375 x 2.00 W/BALE	2	EA
4	124745-1	BELLY PAN W/A	1	EA

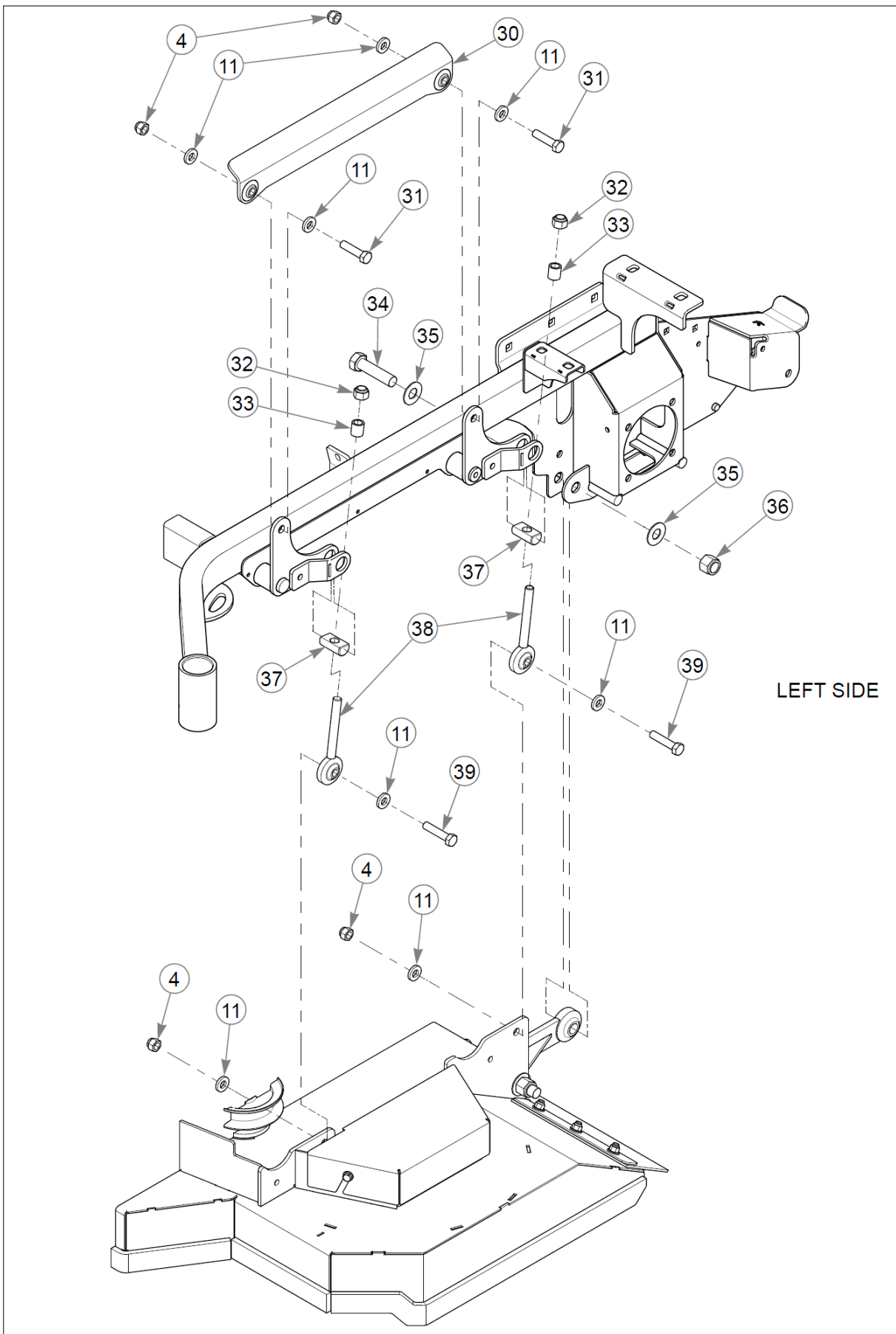
Deck



Item	Part No.	Name	Qty	Uom
1	086660	NT .375-16NLG8	6	EA
2	767954	FW 0.379X.82X.06 HD ZY	12	EA
3	043570	CLIP - HOSE - SINGLE(FS)	2	EA
4	781567	NT .500-13NLG5	9	EA
5	606257	GRIP, DECK LIFT	1	EA
6	554484	SVC, DECK HEIGHT BRKT	1	EA
7	607115	DECAL, DECK HEIGHT	1	EA
8	781880	BUMPER, .500x 1.00x .31	1	EA
9	604076	PIN, DECK HEIGHT STOP	1	EA
10	068023	CS .500-13X3.75 HX G8 ZY	1	EA
11	767962	FW .531 x 1.063 x .175	19	EA
12	603113	CB .375-16X1.250 G5 ZNC	4	EA
13	606359	SB .625X 1.000 SH .500-1	1	EA
14	032581	SB .375X .750 SH.312-18	1	EA
15	606343	DECK LEVEL SPACER	1	EA
16	124134-4	DECK LIFT HANDLE W/A	1	EA
17	781153	BUSHING, UHMW	2	EA
18	123923-1	TRANSPORT LATCH PIVOT	1	EA
19	707398	NT .500-13 JAM NY LK	1	EA
20	058776	NT .312-18NLG5	1	EA
21	047993	CE .500X1.00 .150X .85	2	EA
22	122615	DECK LIFT LINK	2	EA
23	017251	CP .156DX1.000 LG HML Z	2	EA
24	122605	DECK LIFT PLATE	1	EA
25	054502	NT .375-16HXG5	4	EA
26	601486	EB, .375-16X3.00 FULTHD	2	EA
27	606355	SPRING, EXT 7.00 112LBS	2	EA
28	052860	CS .375-16X1.25 HX G5 ZY	1	EA
29	016410	CS .375-16X2.000HXG5	1	EA



Item	Part No.	Name	Qty	Uom
30	606294	DECK LIFT LINK, W/A	2	EA
31	078949	CS .500-13X2.000 FUL HX	4	EA
32	606316	NT 0.563-18 NLGC	4	EA
33	606292	DECK LEVEL SPACER	4	EA
34	051169	CS .750-10X3.000HXG5	2	EA
35	025296	FW .760X1.63X0.08 ZY	4	EA
36	061101	NT .750-10 HX ZY NL GR B	2	EA
37	606291	DECK LEVEL PIVOT	4	EA
38	606290	W/A DECK LEVEL ROD END	4	EA
39	761544	CS .500-13X2.250HXG8	4	EA



Comments for Page: Deck Lift & Mounting Hardware (Multi-Page)

jmumford@excelii.com on Apr 20, 2018

1. The deck height indicator includes the decal.

Appendix A:Pages Index

Battery	7-1
Brake	4-9
Deck (Multi-Page)	8-3
Deck Lift & Mounting Hardware (Multi-Page)	8-5
Deck Pulleys & Spindles	8-2
Drive Wheel Breakdown	5-3
Dust Shield	8-4
Engine	6-1
Engine Service Parts	6-2
Foot Platform & Tower Pad - Prior to S/N 18067885	3-3
Foot Platform & Tower Pad - S/N 18067885 & Higher	3-2
Frame	3-1
Front Wheel Assembly Breakdown	5-2
Fuel System	6-3
General Information	1
Hydraulic Pump Service Parts	4-5
Hydraulic System	4-1
Instrument Panel & Wire Harness	7-2
Left Pump Assembly Breakdown	4-3
Pump Drive	4-7
Reservoir Assembly Breakdown	4-2
Right Pump Assembly Breakdown	4-4
Service Deck	8-1
Steering (Multi-Page)	4-8
Wheel Motor Breakdown	4-6
Wheels, Tires & Fenders	5-1

Appendix B:Parts Index

000174	4-9	037887	4-9, 7-1
000323	6-3	041707	4-1
000331	4-7, 4-8, 6-3, 7-1	043570	4-1, 6-3, 8-5
008193	4-1, 4-8, 8-3	045088	4-8, 7-1
015495	8-3	045898	7-2
015818	6-3	047993	8-5
016253	6-1	051169	8-5
016410	8-5	052860	6-3, 8-5
016816	4-1	054502	4-7, 4-8, 5-1, 8-5
016832	3-2, 3-3, 6-1, 6-3	055822	4-8, 6-3
016899	3-2, 3-3	055939	3-3, 7-1
017244	4-9	055947	4-1, 6-3
017251	8-5	056077	4-8
017616	4-7	058776	4-8, 4-9, 5-1, 7-1, 8-5
019521	5-3	059832	4-8, 7-2
023317	4-1	061077	5-1
023655	4-8	061101	5-1, 5-2, 8-3, 8-5
024927	4-8, 7-1	063198	4-8, 4-9, 7-2
025296	4-7, 5-2, 8-3, 8-5	064014	4-8, 6-3, 7-2
025395	5-1, 8-3	064329	7-2
028118	8-2	064337	4-6
028274	4-1	064345	4-8
029629	8-4	065516	4-6
029751	3-2, 3-3	068023	8-5
029868	7-1	068478	6-2
029876	6-1	068551	3-2, 3-3
032581	8-5	074252	4-9
033001	6-3	076422	6-3
034272	4-7	078949	3-2, 3-3, 8-5
034280	3-2, 3-3, 4-1, 8-3	083196	4-7
034652	3-2, 3-3	086660	3-2, 3-3, 4-9, 6-1, 8-3, 8-5
036236	4-7	113347	4-7
036244	3-2, 3-3	114052	7-2
		114988	8-3

120249	4-8	124740-1	8-3
120252	4-8	124742-4	8-2
121903	3-2, 3-3	124745-1	8-4
121930	4-8	124748-1	8-4
122115	6-3	124779-1	8-3
122241	3-2, 3-3	212076	4-7
122340	6-1	212472	8-2
122341	6-1	553513	7-2
122388	8-2	553515	7-2
122481	4-1	553516	4-9
122528	4-7	553517	7-1
122572	5-1	554484	8-5
122576	5-1	554612	8-1
122580	3-2, 3-3	554705	8-3
122582	4-9	554706	8-3
122593	4-8	554727	3-1
122605	8-5	600296	8-2
122615	8-5	600684	5-3
122624	3-2, 3-3	601047	7-2
122625	3-2, 3-3	601058	7-2
122626	3-2, 3-3	601069	3-2, 3-3, 4-2, 8-3
122629	7-1	601084	4-7
122637	6-1	601097	7-2
122671	6-3	601098	7-2
122782	3-2, 3-3	601123	8-3
123269	4-9	601486	4-7, 8-5
123651-1	5-2	601488	4-7
123923-1	8-5	601503	3-2
124134-4	8-5	601580	3-2, 3-3
124729-1	8-3	601815	7-1
124730-4	8-3	601822	4-9
124735-1	8-3	601906	4-9
124736-1	8-3	602041	3-1
124737-1	8-3	602099	6-1

602256	4-1	605601	6-3
602263	5-1	605688	7-2
602338	8-3	605690	6-3
602339	5-1	605850	4-7
602341	8-3	605854	4-7
602344	8-3	605869	4-8
602345	5-1	605908	6-3
602407	7-2	605911	7-2
602538	4-9	605960	3-2, 3-3
602539	8-2	605961	4-8, 4-8
602562	3-1, 8-3	605980	4-1
602580	6-1	606013	5-1
602581	6-2	606031	4-7
602680	4-7	606043	6-1
602842	8-2	606052	6-3
603057	8-2	606057	4-3
603112	6-3	606058	4-4
603113	4-9, 6-1, 8-5	606060	4-4
603135	6-1	606061	4-4
603326	6-3	606062	4-3
603391	8-1	606063	4-3
603784	8-2	606066	4-7
603807	6-3	606108	4-2
604076	8-5	606109	4-2
604222	8-1	606110	4-2
604251	6-3	606111	4-3
604255	8-2	606112	4-4
604323	6-3	606149	8-2
604430	7-2	606154	7-2
604803	8-4	606155	7-2
604816	4-8	606175	4-7
605266	4-6	606176	4-1
605282	3-3	606183	4-1
605325	4-8	606184	4-1

606198	4-1	606349	4-5
606200	4-1	606350	4-5
606201	4-6	606351	8-2
606215	7-2	606352K	4-7
606218	7-2	606353	4-1
606238	4-2	606355	8-5
606249	4-2	606359	8-5
606255	5-3	606368	4-8
606256	4-7	606369	4-8
606257	8-5	606371	4-7
606258	4-9	606386	8-2
606259	4-7	606711	5-1
606262	3-2, 3-3	606712	5-1
606263	4-1	606713	5-1
606266	4-1	606714	5-1
606267	4-1	606715	5-1
606280	4-8	606742	5-2
606281	4-8	606749	5-2
606285	4-8	606753	5-2
606286	3-2, 3-3	606777	5-2
606288	4-9	606778	5-2
606290	8-5	606780	5-2
606291	8-5	606815	5-2
606292	8-5	606817	5-1
606294	8-5	606845	3-2, 3-3
606299	4-9	607062	8-3
606302	4-9	607114	8-1
606303	4-9	607115	8-5
606316	8-5	607117	8-3
606323	3-1	607126	8-3
606327	4-1	607168	3-2
606343	8-5	704742	4-1
606347	4-5	704791	4-7
606348	4-5	704932	7-2

705186	4-1	781567	3-2, 3-3, 4-9, 5-1, 8-5
705954	8-2	781658	4-2
706168	4-8	781872	4-7, 8-3
707398	8-5	781880	3-2, 3-3, 8-5
712257	7-2	782474	8-3
712919	4-9	784108	4-3, 4-4
713198	7-1	785261	6-2
720516	6-1	785279	6-2
752386	8-2	785659	4-7
761544	8-5	785808	7-2
763318	6-2	786731	5-2
763953	4-1	787465	4-1, 4-2, 4-3, 4-4
765339	4-9	788554	4-8
767954	3-2, 3-3, 4-7, 4-8, 4-9, 5-1, 6-1, 6-3, 8-3, 8-5	789776CE	3-1
767962	3-2, 3-3, 4-1, 4-8, 4-9, 5-1, 8-2, 8-3, 8-5	791251	4-7
768127	4-1, 4-7	793976	8-1
768259	4-8, 4-9	794446	8-2
768333	4-1	794644	7-1
768341	4-1	794784	4-1
768515	3-2, 3-3, 4-1, 4-8, 6-3, 7-2	796524	6-1
768523	3-2, 3-3, 4-1, 4-7, 4-8, 4-9, 5-1, 6-1, 6-3, 7-1, 7-2, 8-3	808477	4-8
769166	7-2	808485	3-1, 4-8
773002	4-1		
776310	3-1		
776476	7-2		
778365	7-2		
780015	6-1		
780718	4-5		
781153	3-2, 3-3, 4-7, 8-5		
781302	4-7, 4-9		
781526	4-6		
781542	4-3, 4-4		